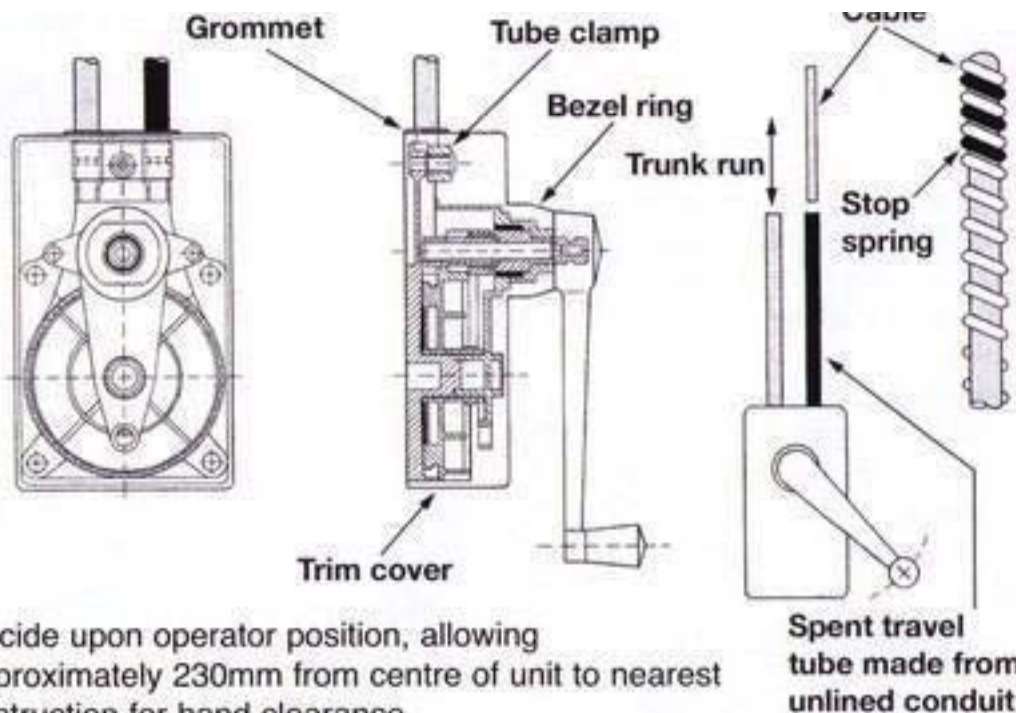


S200 Manual Window Control

Fitting instructions



1. Decide upon operator position, allowing approximately 230mm from centre of unit to nearest obstruction for hand clearance.
2. To remove trim cover, turn bezel ring to the left and remove. Collect grommet. Place operator in position, mark off four fixing holes and fix with screws provided.
3. Fit grommet over conduit end, insert conduit into operator and retain with tube clamp. Ensure shoulder of clamp is engaged in swaged groove on conduit.*
NOTE: The conduit can be assembled to either entry, the left-hand entry giving clockwise rotation of handle with cable in tension (pulling).
4. Complete the installation of vent units and conduit
5. Feed the chamfered end of cable into the spent travel entry until it contacts the cable wheel. Assemble handle to operate drive claw and wind the cable into conduit until it appears out of spent travel tube at far end of run. Wind back, flush to end of tube and mark cable flush with operator body for cutting.
6. Cut cable with a Junior hack-saw and file the edges smooth.
7. Fit stop collar and spent travel tube.