

Image 1A
(with thickness)

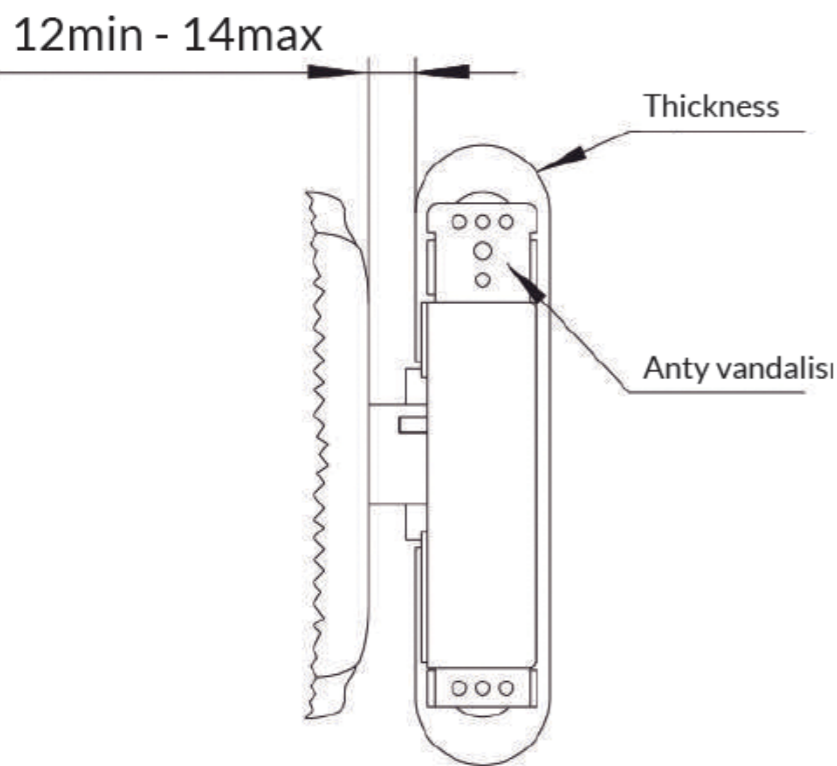
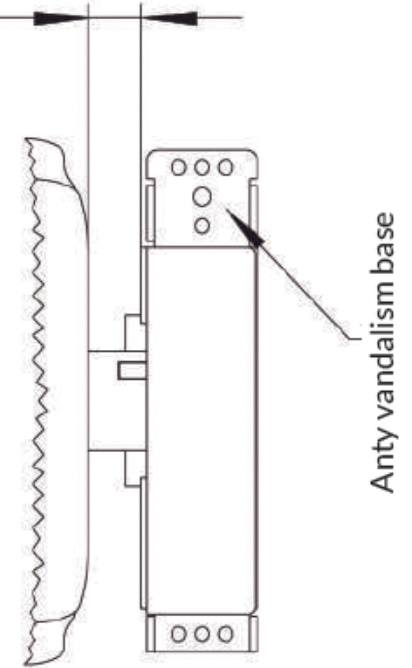


Image 1B
(without thickness)

13.5min - 16max

- Unscrew the screws that fix the cover to the anti-vandalism base of the electric strike.
- Before assembling the electric strike on the profile, the cover has to be fully unscrewed:
 - a) If the thicknesses have to be used, the dimensions (12 min - 14 max) of the image 1A are valid for positioning the thickness.
 - b) If the thicknesses are not used and the anti-vandalism base is fixed directly on the profile of the door, follow the dimensions (13,5 min - 16 max) of the image 1B.
- Fix the anti-vandalism base of the electric strike with screws suitable for the type of profile.
- Make the wiring connections according to the diagram shown below.
- Fix the cover to the anti-vandalism base with the appropriate screws that are supplied.

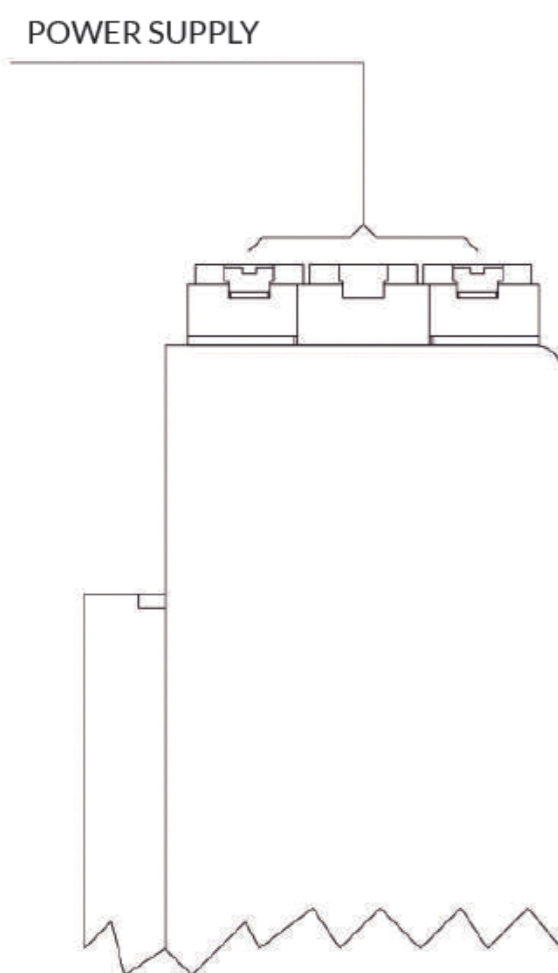


INSTRUCTIONS FOR THE ELECTRIC CONNECTION

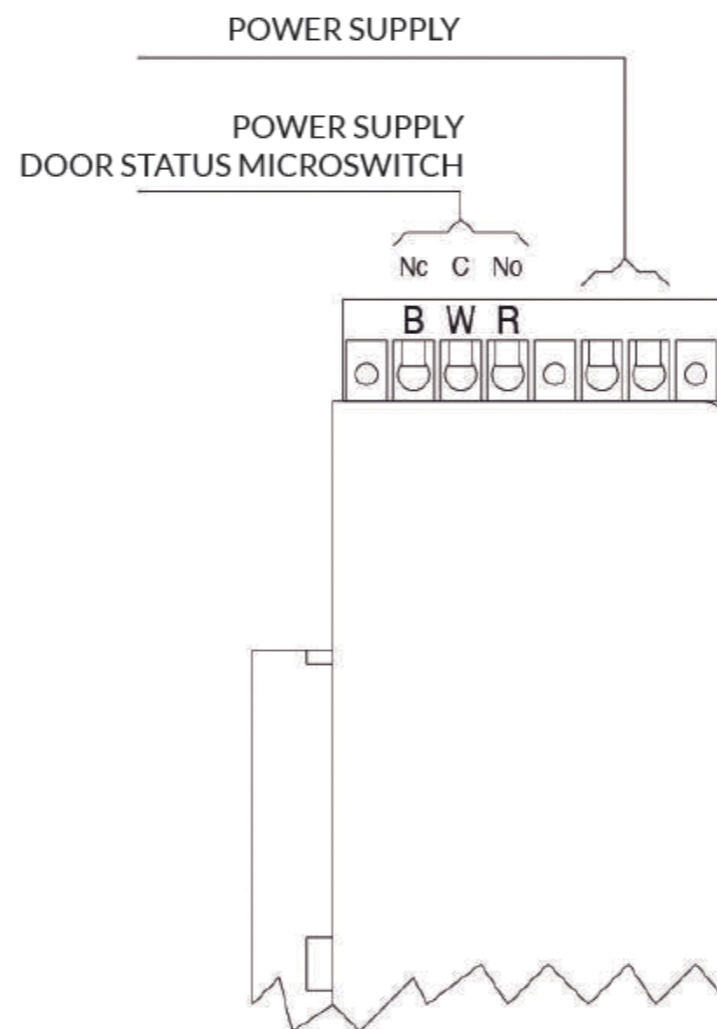
Electric wiring connections:

- 1) STANDARD VERSION (without hold-open, with hold-open, AC and DC) (Image 1)
- 2) MONITORING VERSION (Image 2)
- 3) DOUBLE MONITORING VERSION (Image 3)

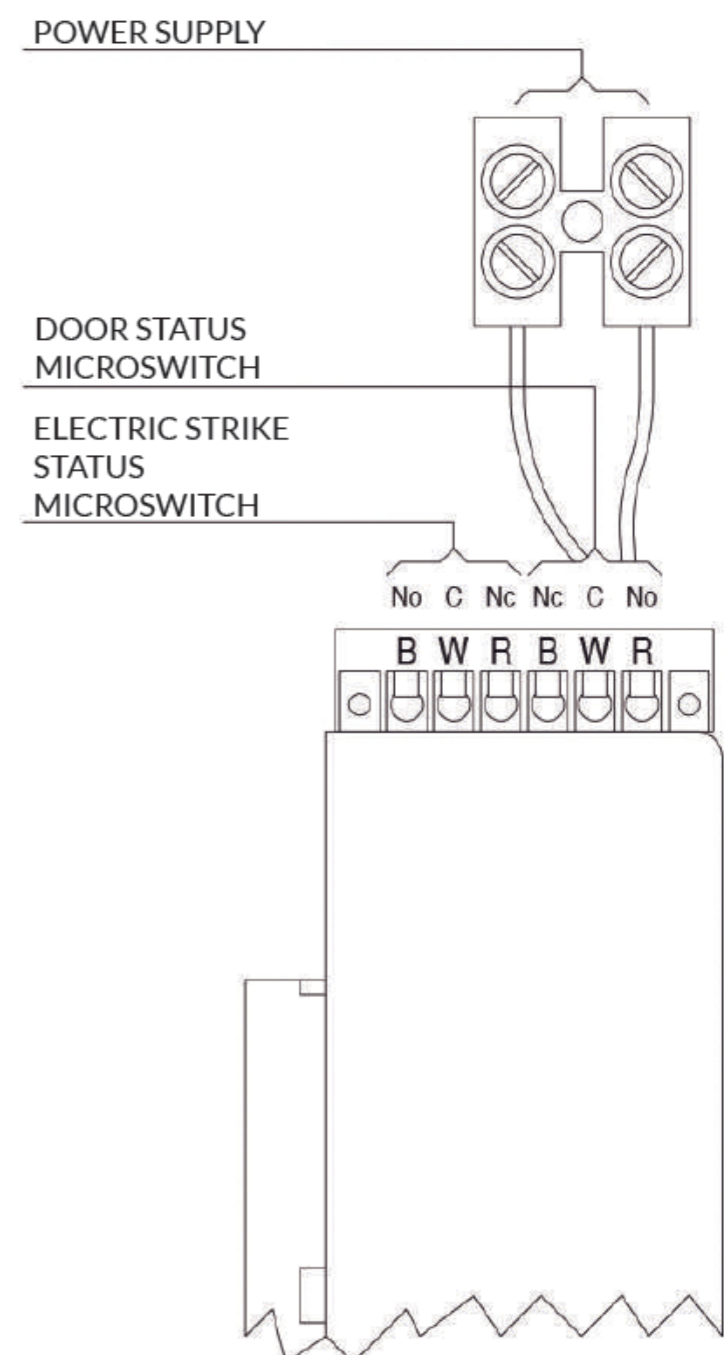
B= black	Nc= normally closed (fail-secure)
W= white	Nc= common
R= red	No= normally closed (fail-safe)



(Image 1)



(Image 2)



(Image 3)

The product complies with the European directives CEE 89/336, CEE 92/31, CEE 93/68 for electromagnetic compatibility according to EN50081-1 and EN50082-1 standards.

It also complies with European directives 2014/30/UE and 2011/65/UE.