



10100
10200



DoP AP013/2827

CE	UK CA	antipanic s.r.l	
		Bologna - italy www.antipanic.it	
0425-2827	0843-1040		15
EN 1125:2008			3 7 7 B 1 4 2 2 A A

Max 1300 mm.
-20°C/+100°C
Max 2500 mm.
Max >200 Kg

For doors en escape routes



www.strandhardware.co.uk/images/PDF/DoPDFineTouchBar.pdf

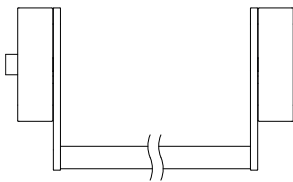
Declaration Of Performance (CE)



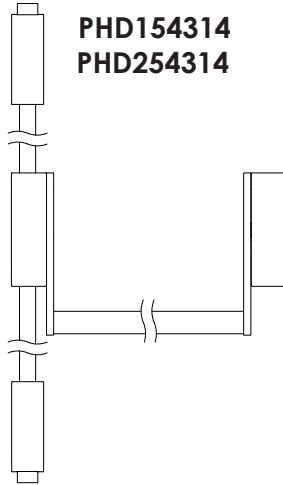
https://www.strandhardware.co.uk/images/UKCA-DOPs/UKCA_Panic_Hardware_SHWUKCA5.pdf

Declaration Of Performance (UKCA)

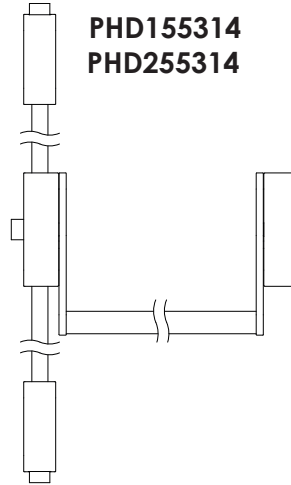
PHD150314
PHD250314



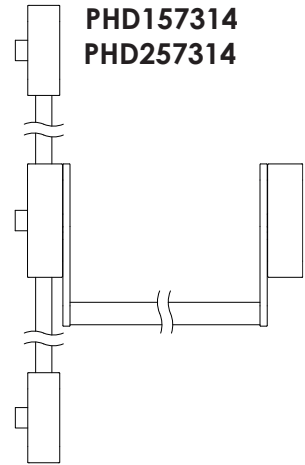
PHD154314
PHD254314



PHD155314
PHD255314

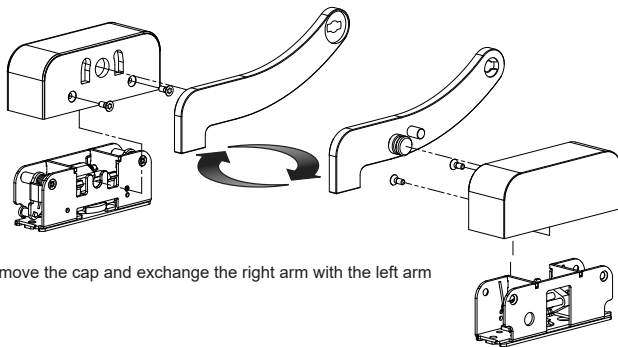
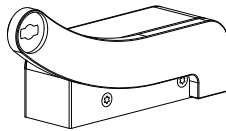


PHD157314
PHD257314



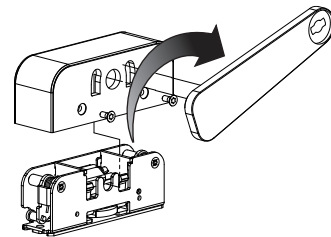
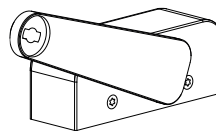
LEFT/RIGHT REVERSIBILITY

ONE



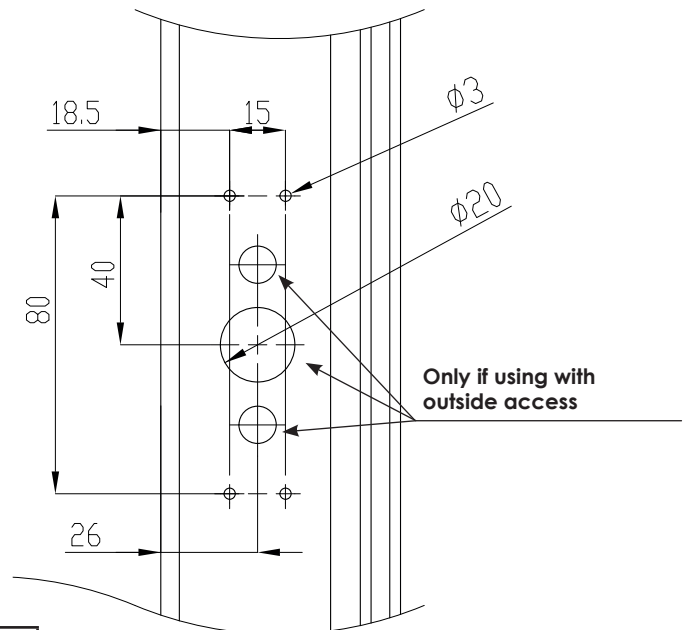
Remove the cap and exchange the right arm with the left arm


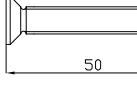

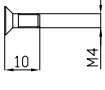

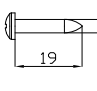
TWO

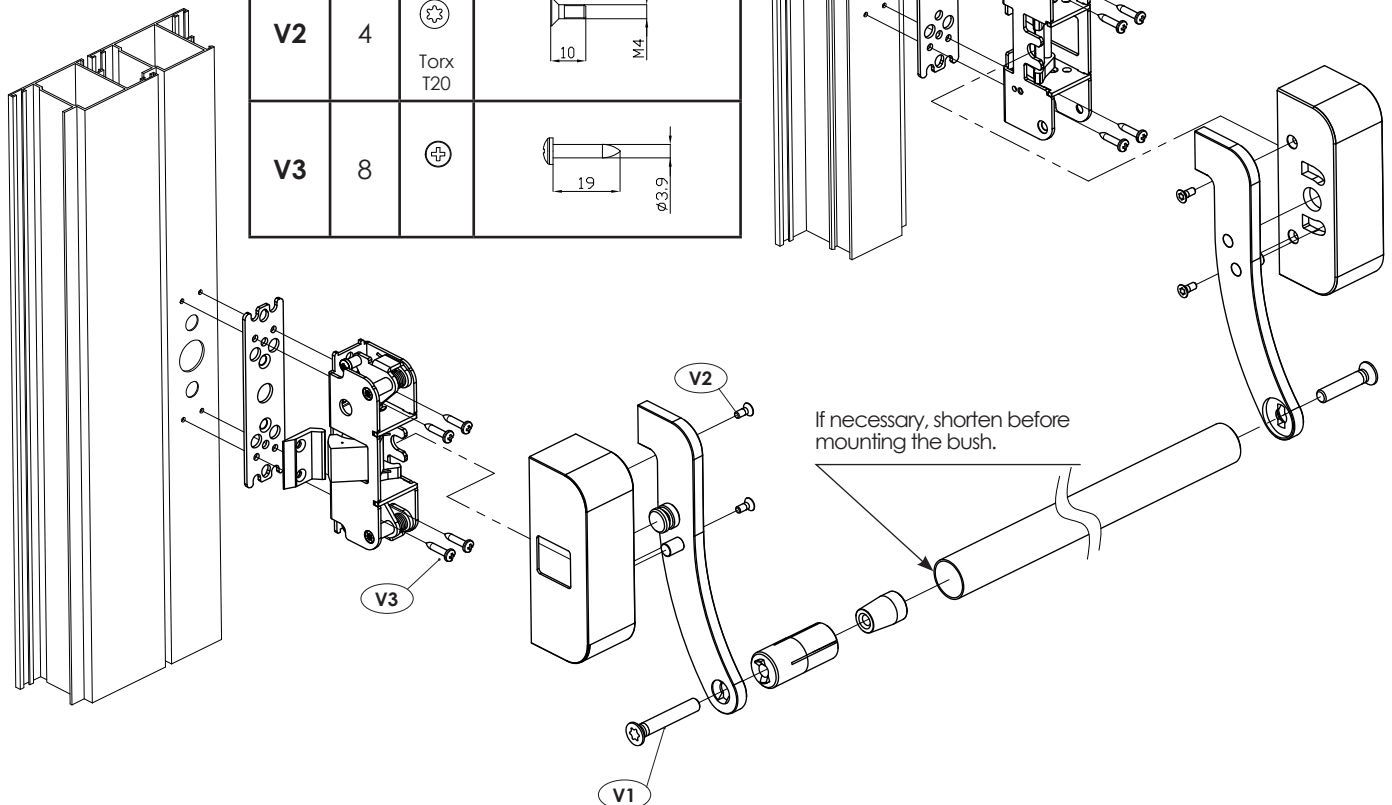


Remove the cap and rotate the arm

. After completing work on the profile, fasten the bar inplace using V3 screws provided

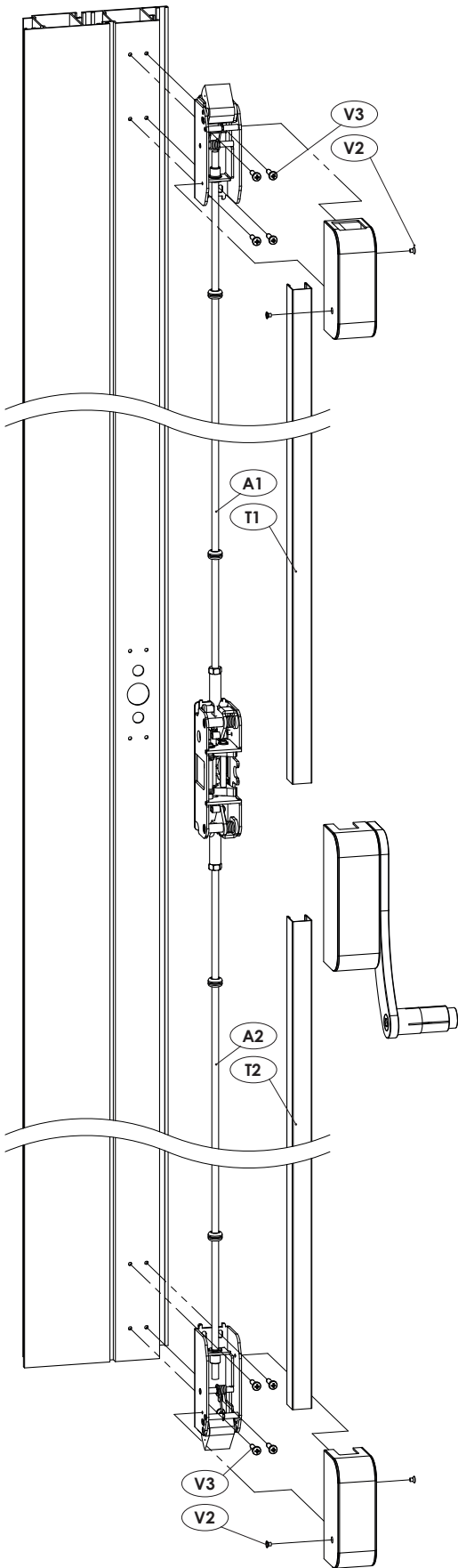
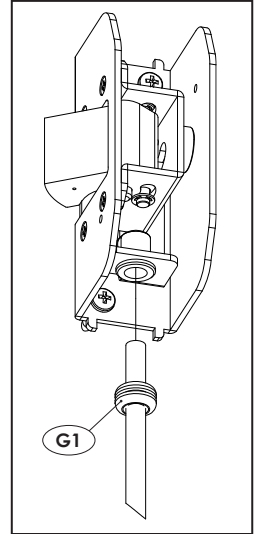


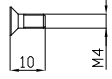
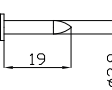


Fixing screws			
V1	2	 Torx T40	
V2	4	 Torx T20	
V3	8		

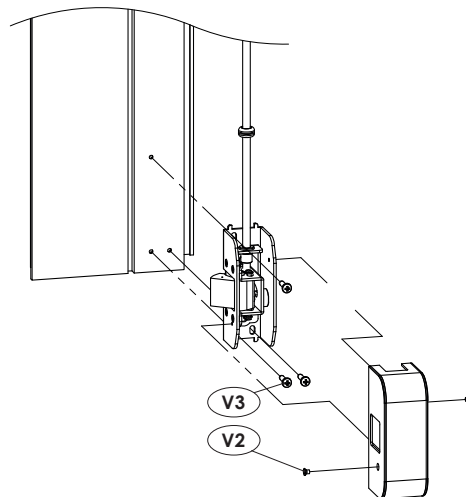
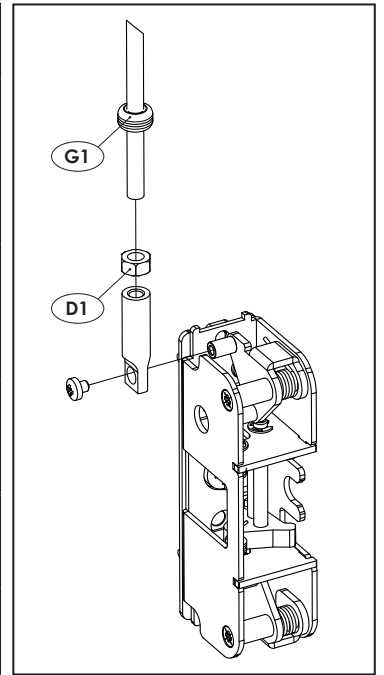


2 AND 3 POINT BOLT

2 AND 3 POINT LATCH

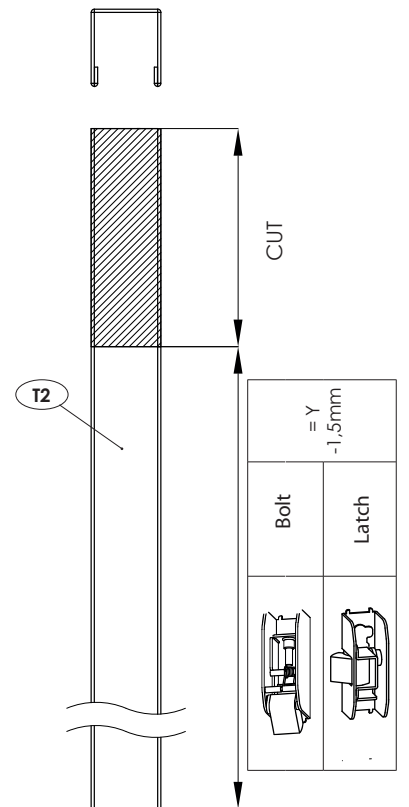
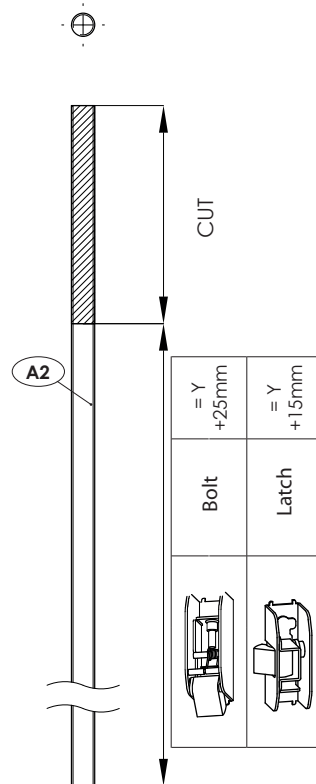
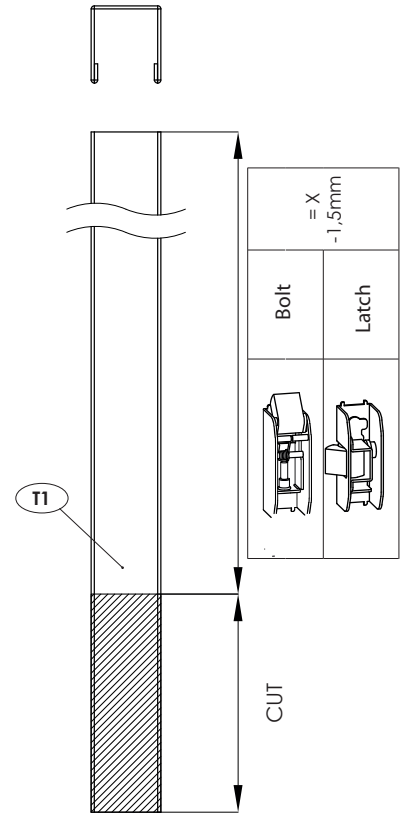
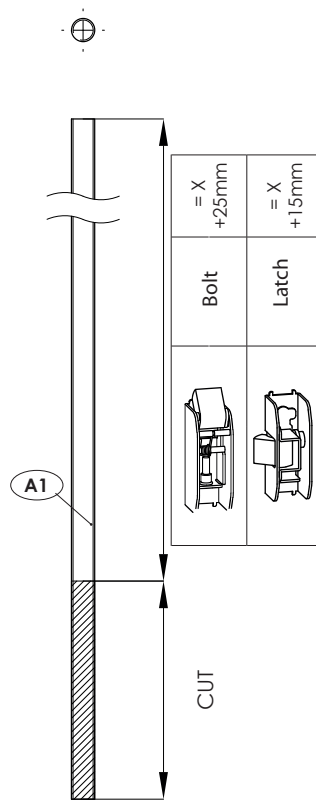
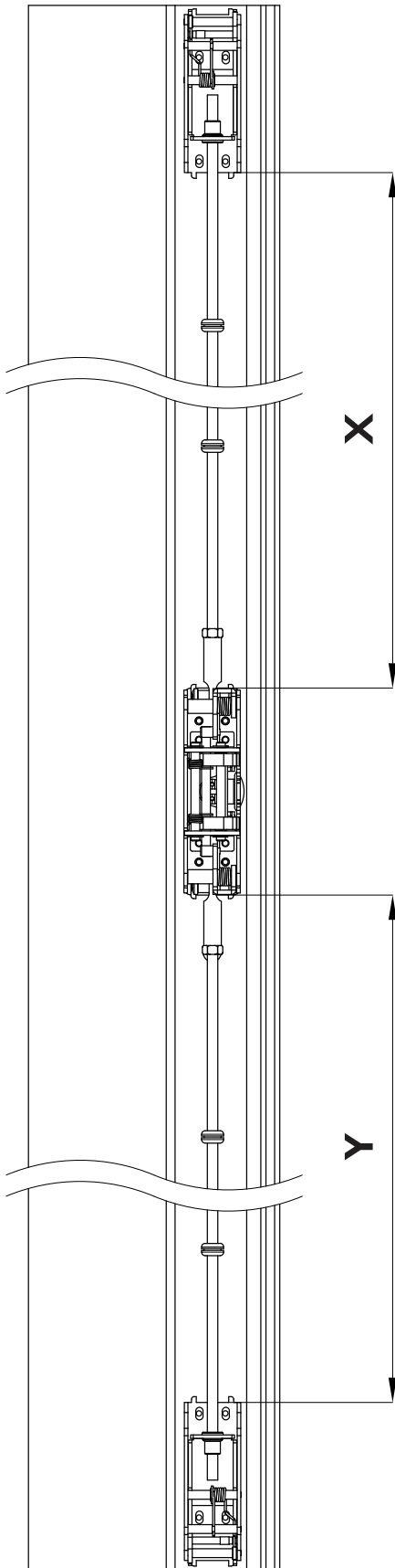


Fixing screws			
Fixing screws	Side	Up Down	
V2	4		 Torx T20
V3	6	8	 ø3.9
D1	2		
G1	4		

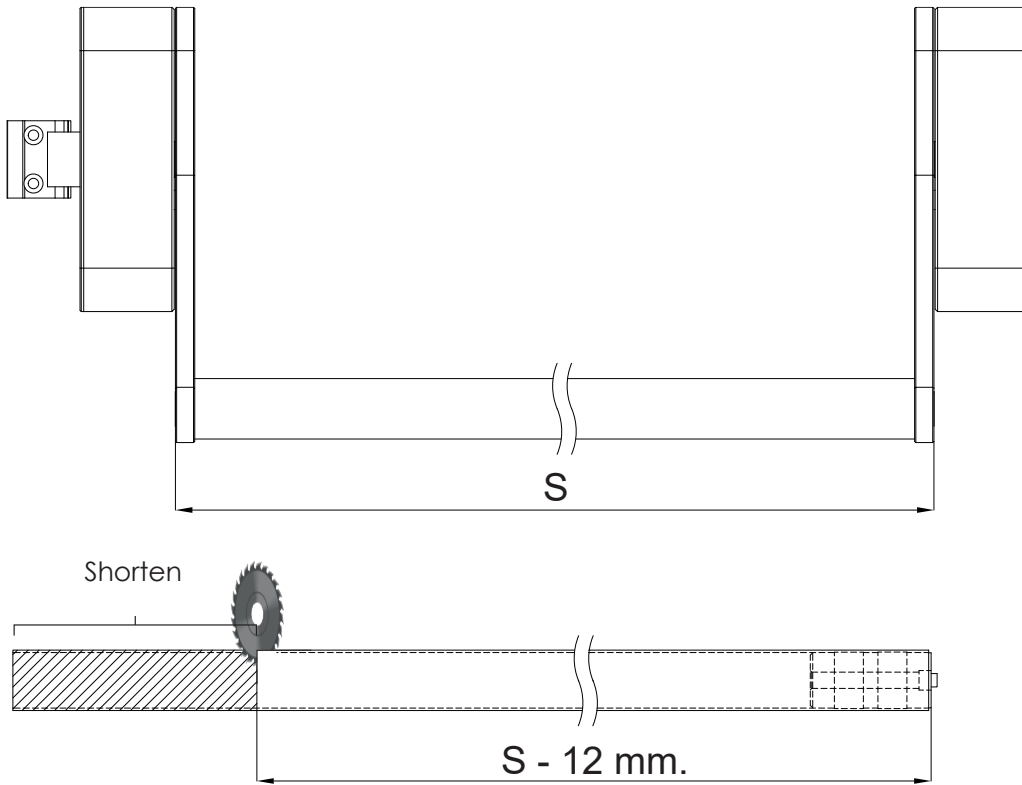


Threaded rod

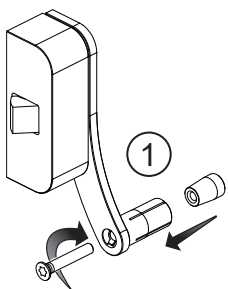
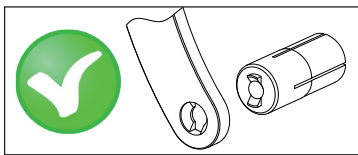
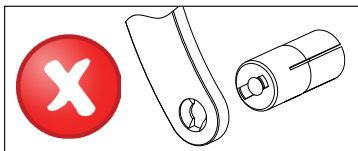
Cover for rods



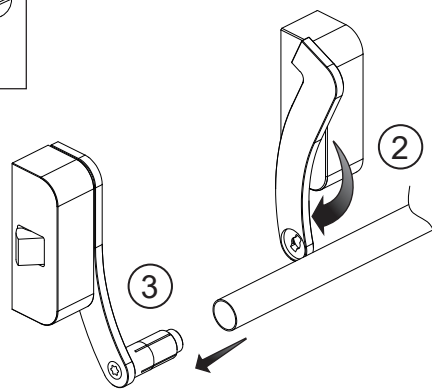
Bar length alteration



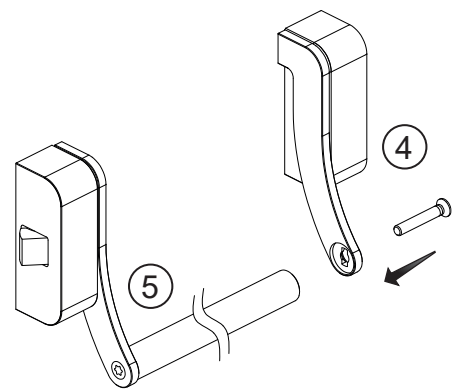
Bar mounting sequence



Important: Do not tighten



Important: Do not tighten

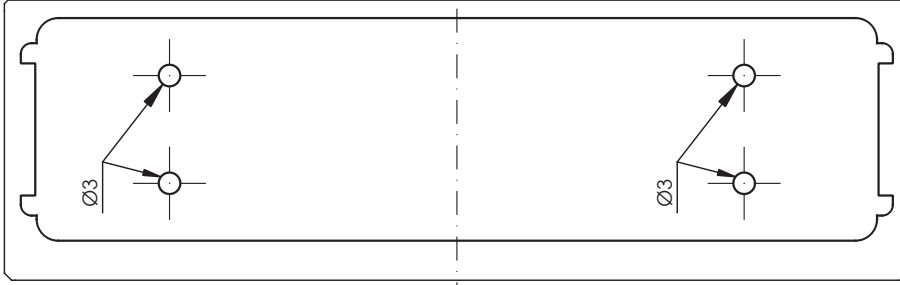


Tighten screws starting from step 4, then step 5.
Tighten fully.

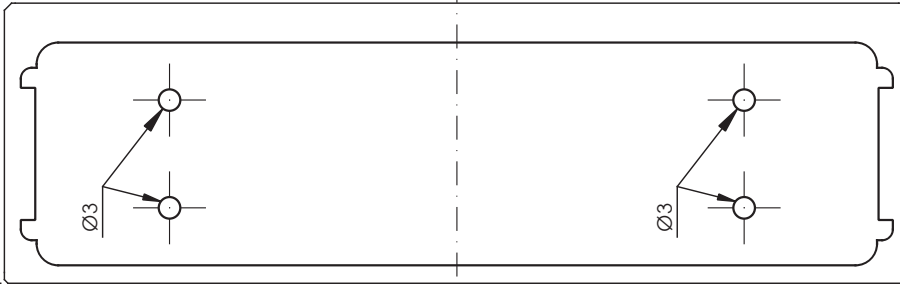
Flush Fitting

Secondary door

Secondary mechanism

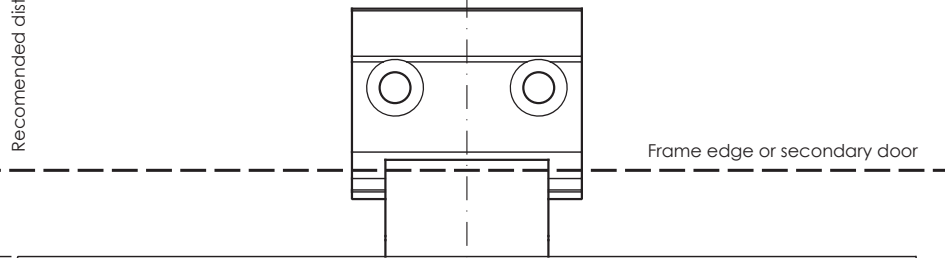


Main mechanism



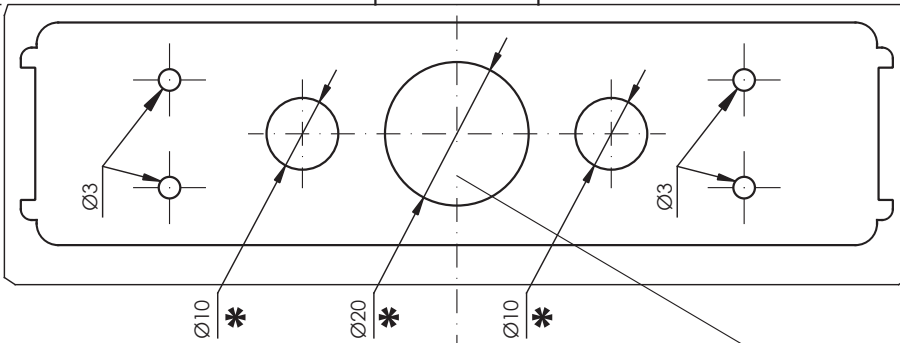
33
Recommended distance

12

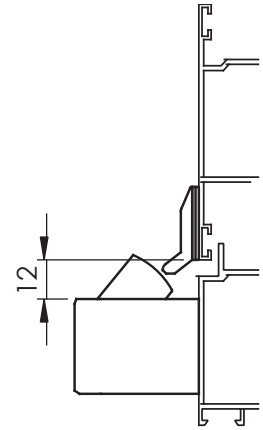


Main door

Main mechanism



Secondary mechanism

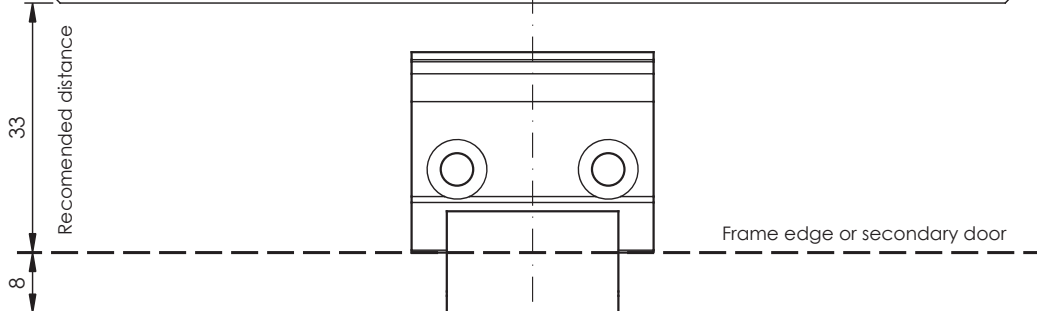
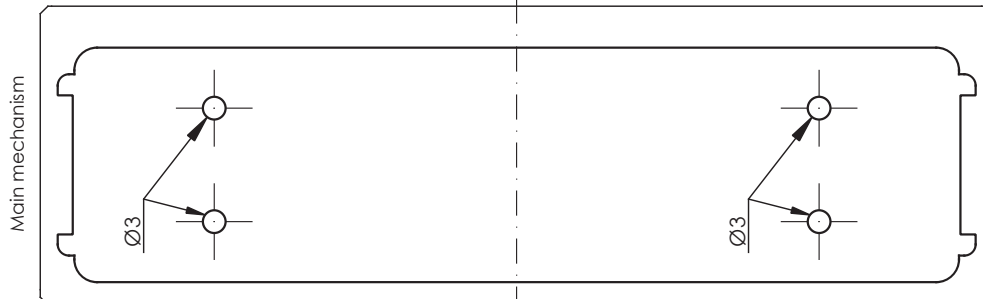
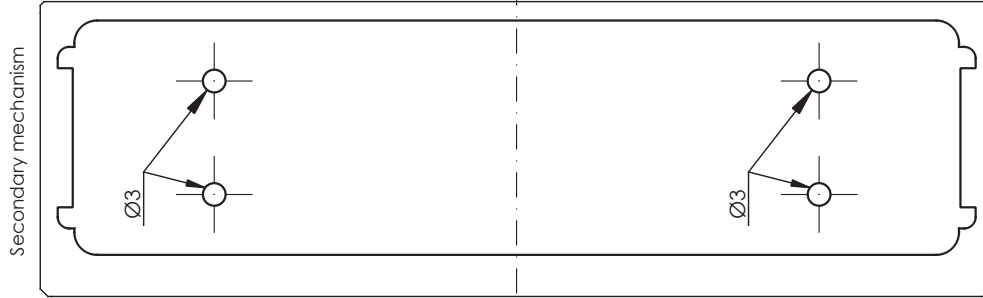


* Drill holes for Outside Access

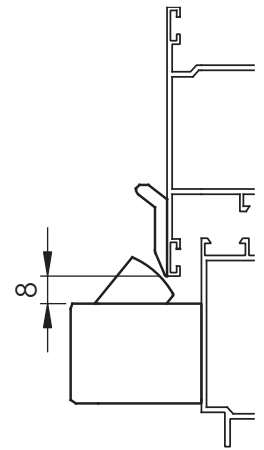
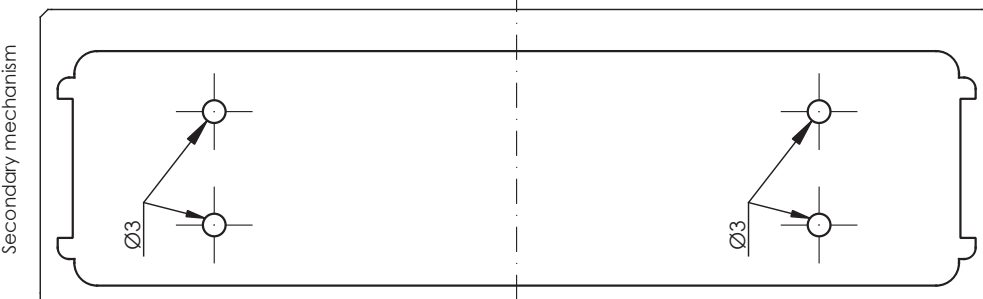
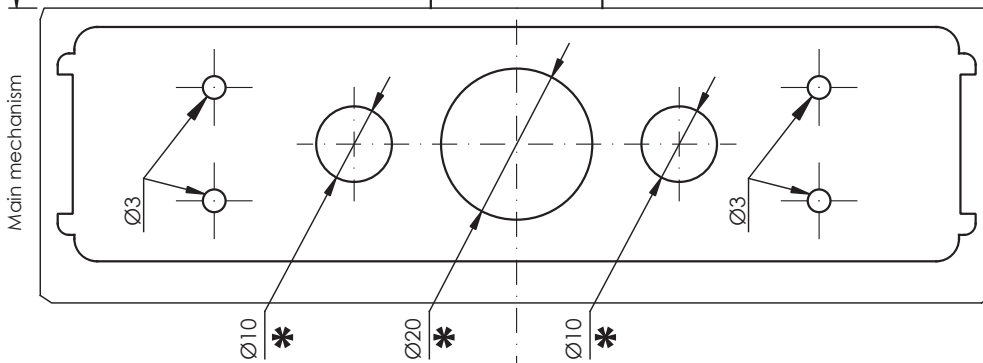
TT line - recommended height 1115 (± 4mm) from floor

Profile / Rebated Fitting

Secondary door



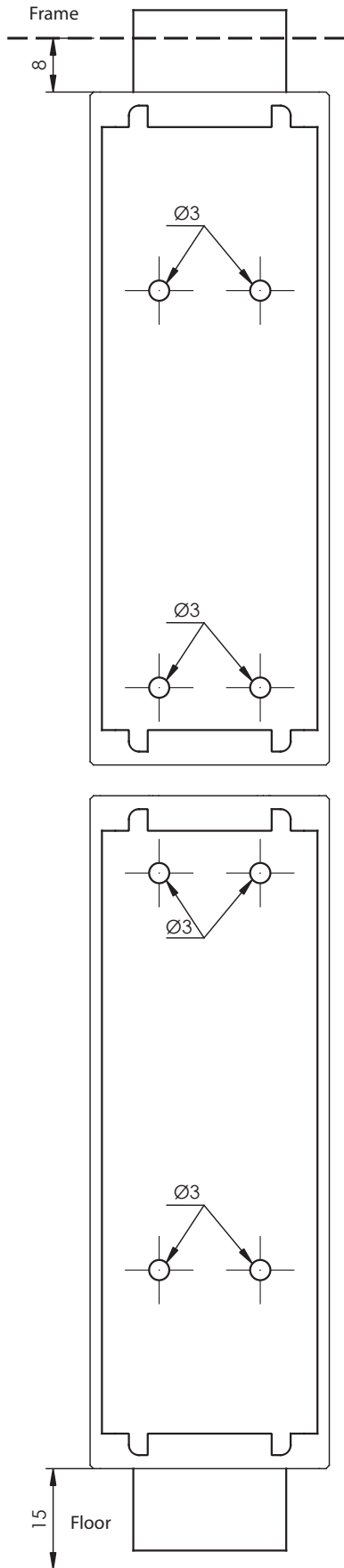
Main door



* Drill holes for Outside Access

TT line - recommended height 1115 (± 4 mm) from floor

Bolt



Latch

