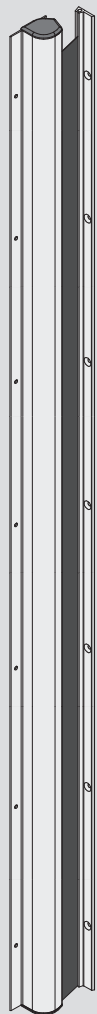


FP200 FINGER PROTECTOR | INSTALLATION INSTRUCTIONS

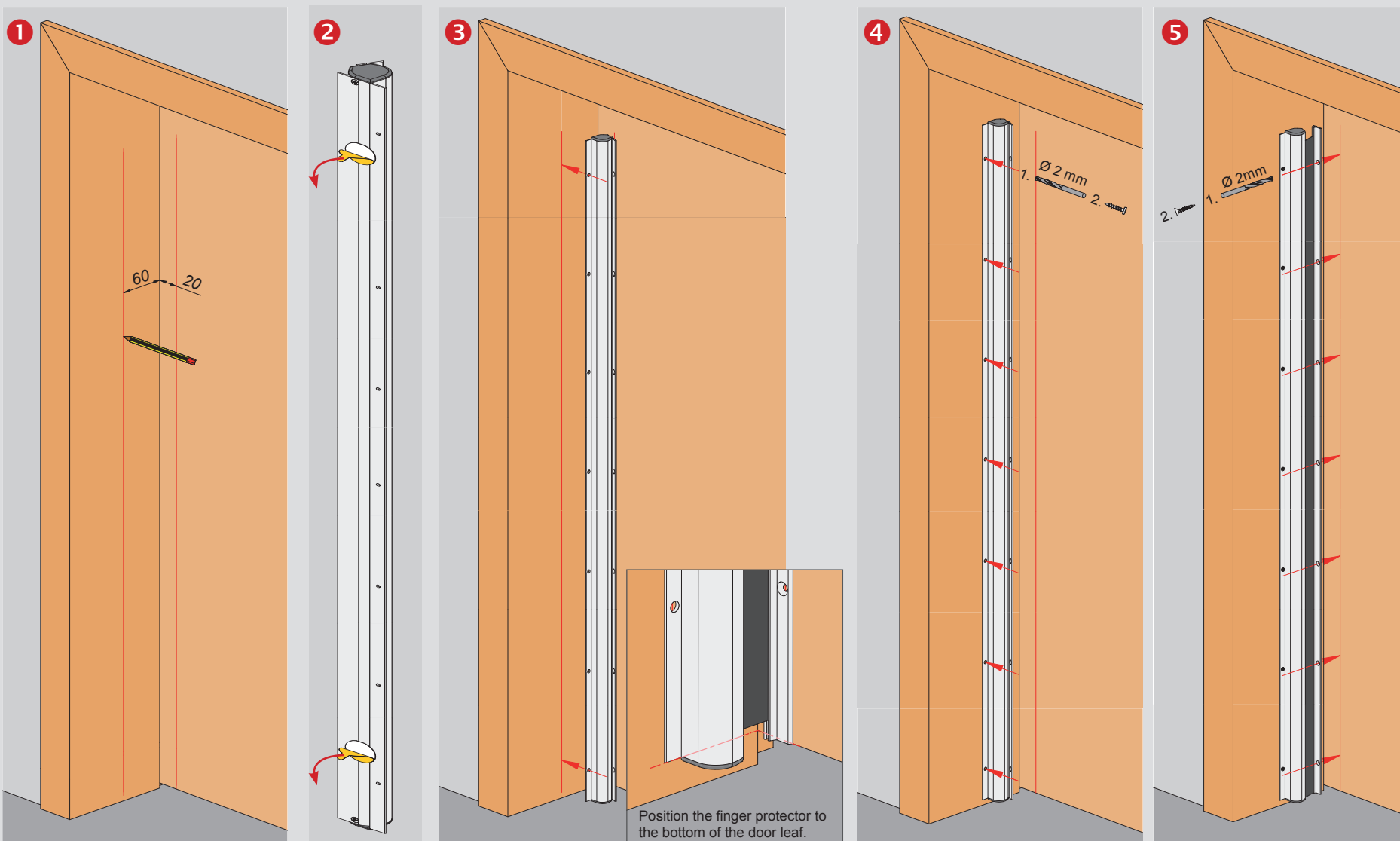
Included



8 X

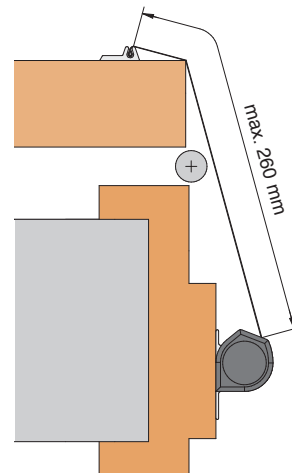
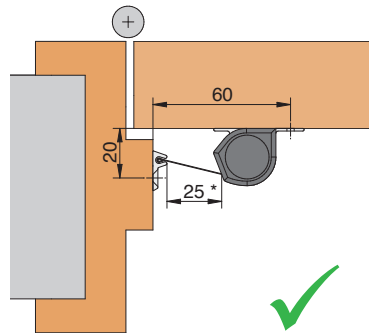
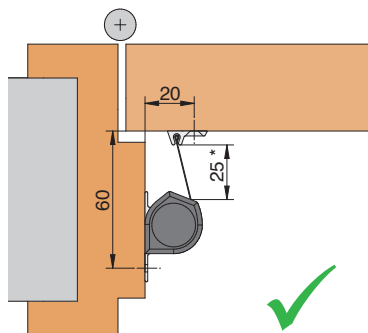
8 X

Fitting

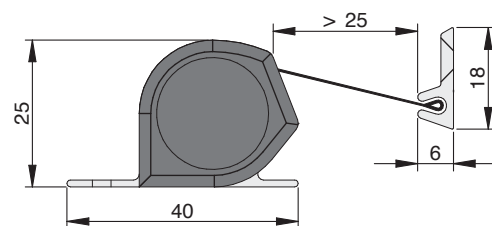


The use of finger protection does not obviate the duty of supervision. Technical specifications are subject to change.

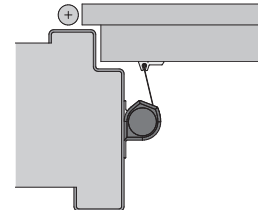
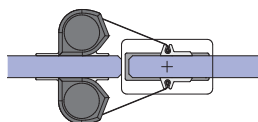
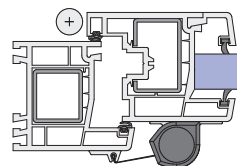
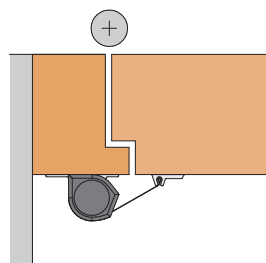
Technical Specifications / Alternative installation applications



* 25 mm minimum distance required.
According to BS EN 349.



FP200 Dimensions



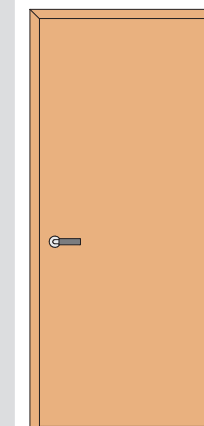
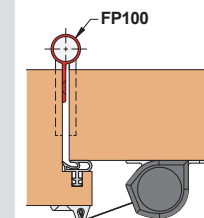
Installations for alternative door style / material.

OPTIONAL: PROTECTION PROFILES ON THE HINGE SIDE

FP100

Designed to be fitted with our roller system finger protectors to prevent finger trapping on the hinge pin side of the door. Supplied in predrilled and countersunk lengths of 1.8 metres which can be cut to size and fitted between, above and below hinges. Suitable for standard \varnothing 12 - 14 mm hinges.

Available in various finishes.



3 Profile 3: above the top hinge

2 Profile 2: between the hinges

1 Profile 1: below the bottom hinge

The use of finger protection does not obviate the duty of supervision. Technical specifications are subject to change.