



**10100
10200**



DoP AP013/2827



0425-2827



0843-1040

antipanic s.r.l

Bologna - italy
www.antipanic.it



15

EN 1125:2008

3 7 7 B 1 4 2 2 A A

Max 1300 mm.
-20°C/+100°C
Max 2500 mm.
Max >200 Kg

For doors en escape routes



www.strandhardware.co.uk/images/PDF/DoPDFineTouchBar.pdf

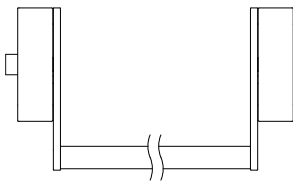
Declaration Of Performance (CE)



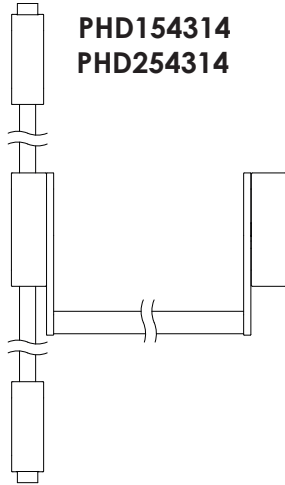
https://www.strandhardware.co.uk/images/UKCA-DOPs/UKCA_Panic_Hardware_SHWUKCA5.pdf

Declaration Of Performance (UKCA)

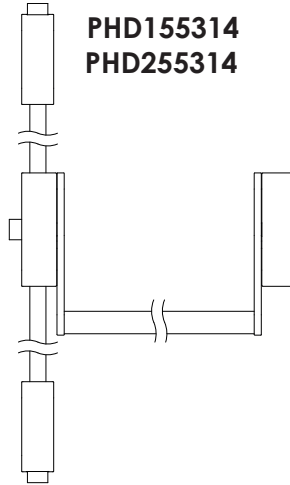
**PHD150314
PHD250314**



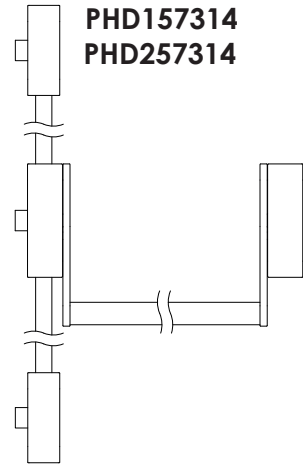
**PHD154314
PHD254314**



**PHD155314
PHD255314**

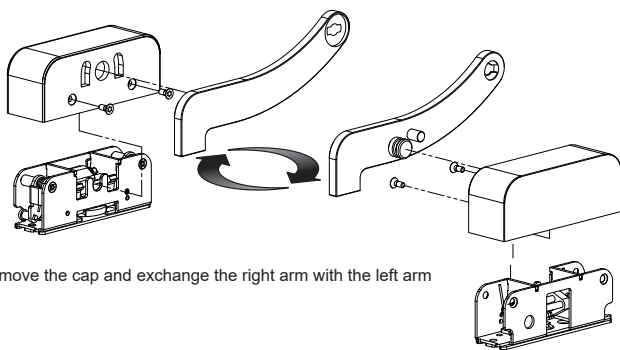
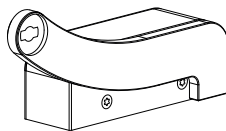


**PHD157314
PHD257314**



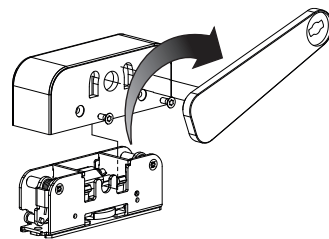
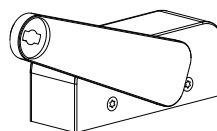
LEFT/RIGHT REVERSIBILITY

ONE



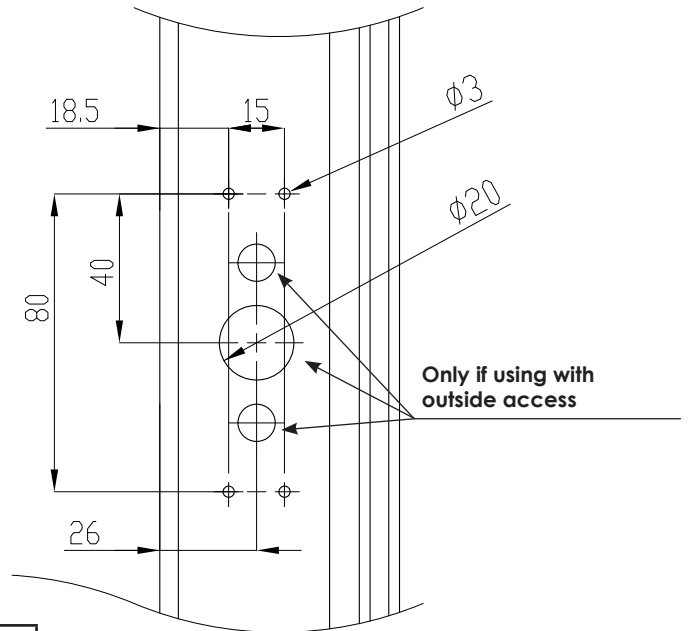
Remove the cap and exchange the right arm with the left arm

TWO

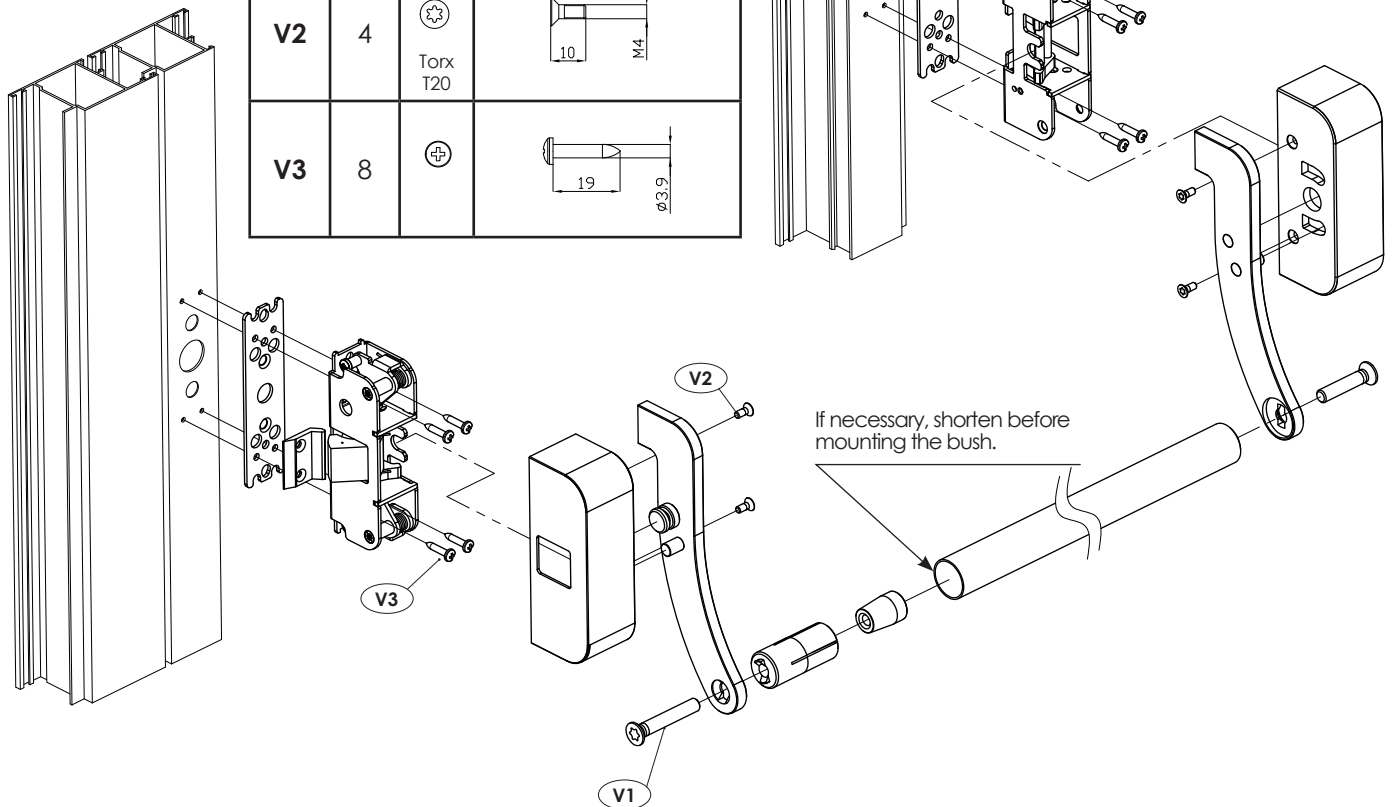


Remove the cap and rotate the arm

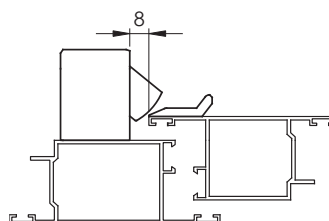
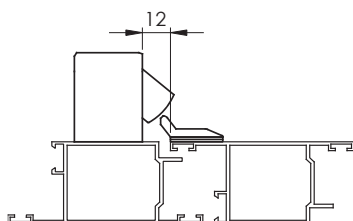
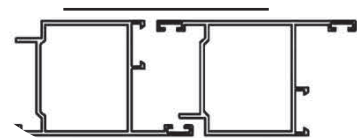
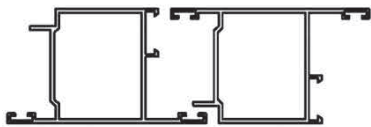
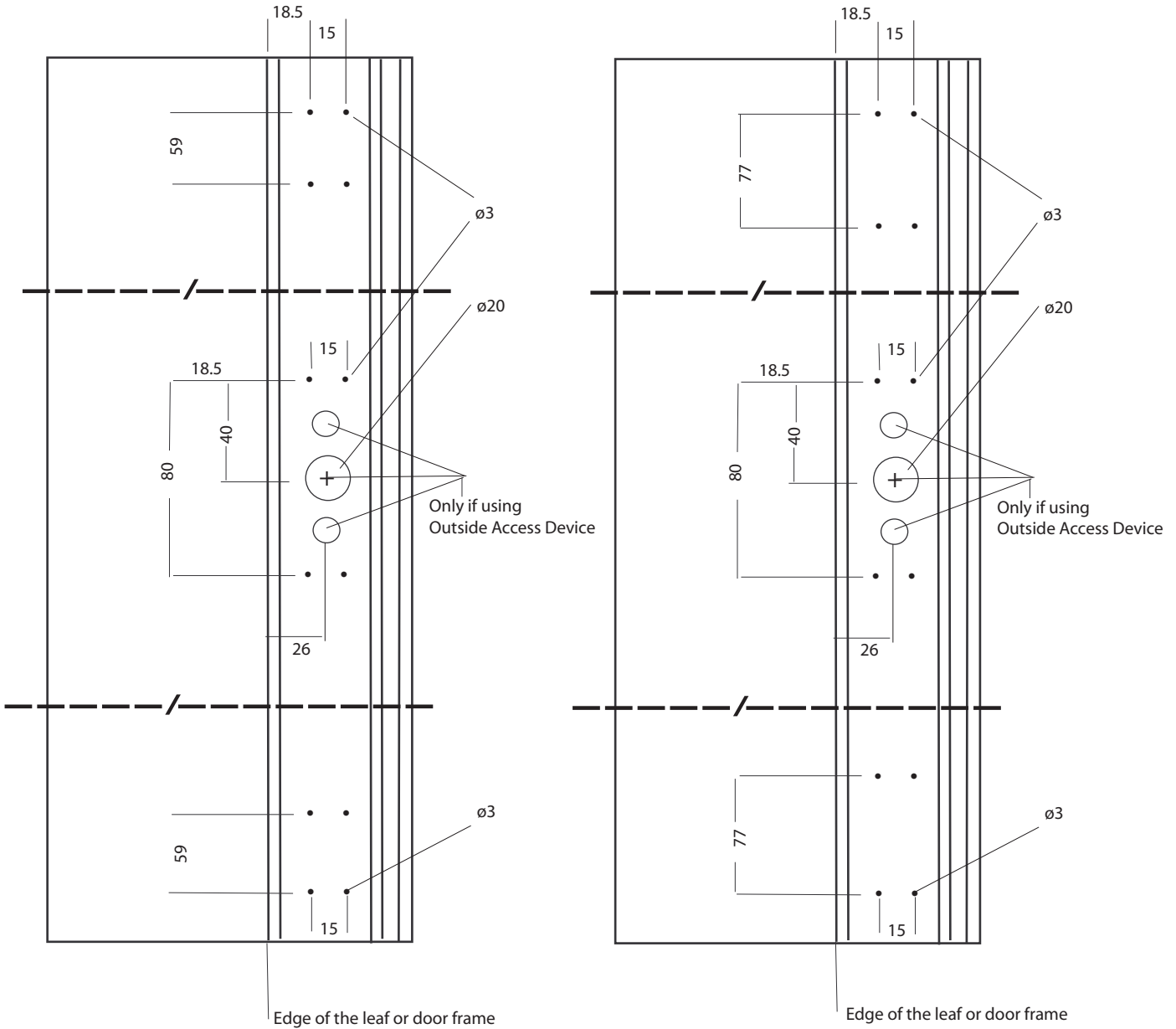
. After completing work on the profile, fasten the bar inplace using V3 screws provided



Fixing screws			
V1	2	Torx T40	50 M8
V2	4	Torx T20	10 M4
V3	8		19 $\phi 3.9$

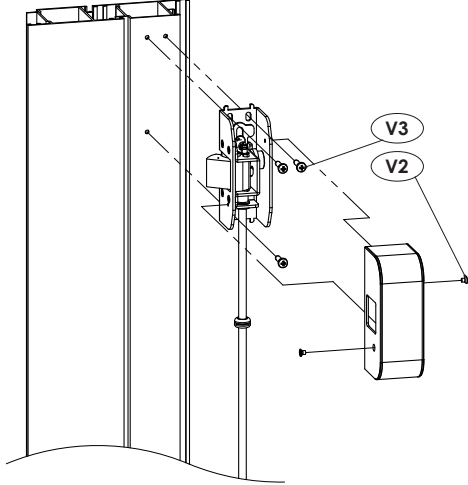
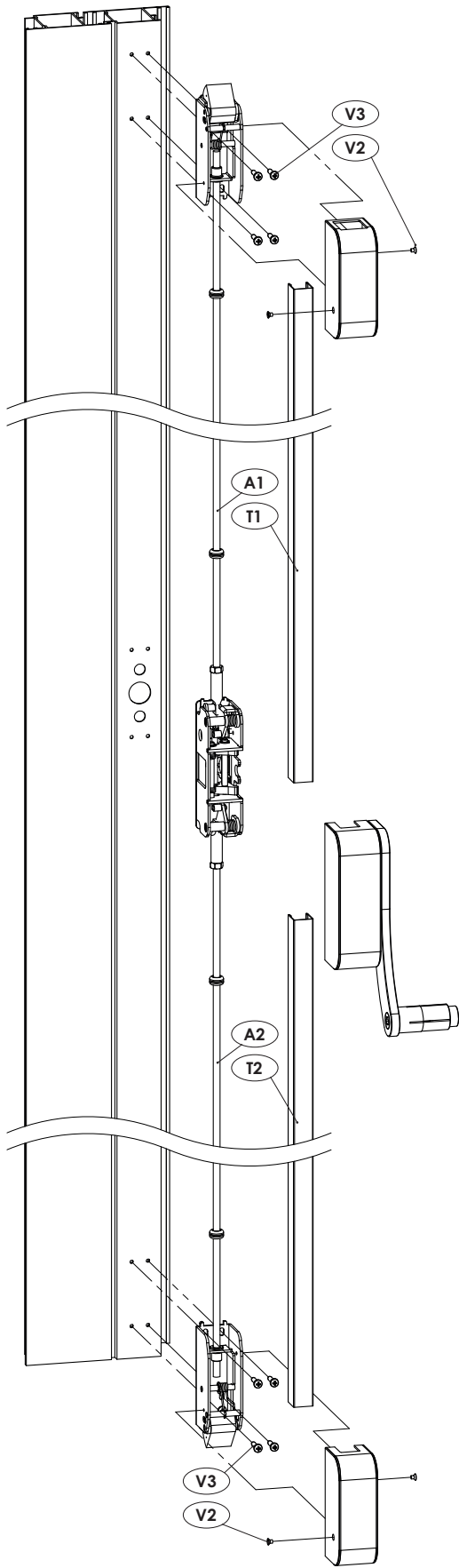
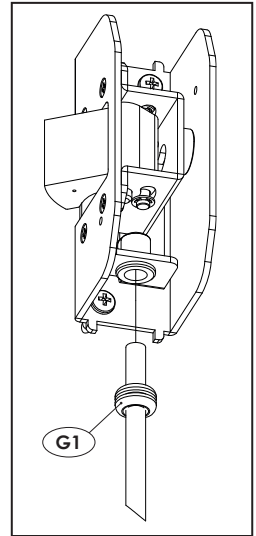


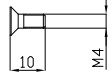
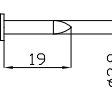


- After completing work on the profile, fasten the push bar in place using V3 screws provided (16 self-tapping screw, Ø3.9mm. Drill a Ø3.0 mm hole.)

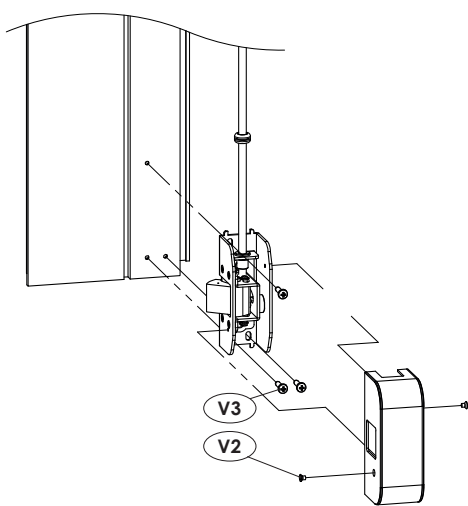
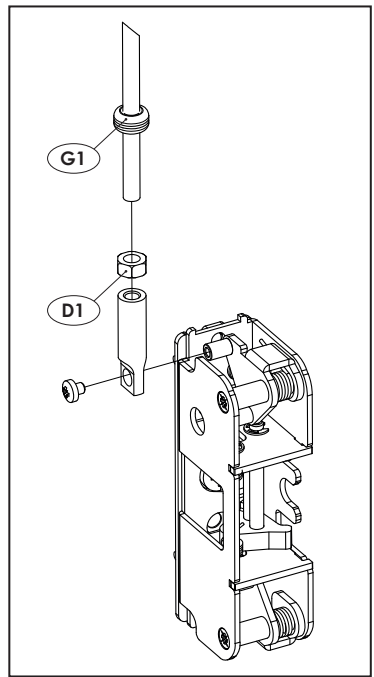


2 AND 3 POINT BOLT

2 AND 3 POINT LATCH

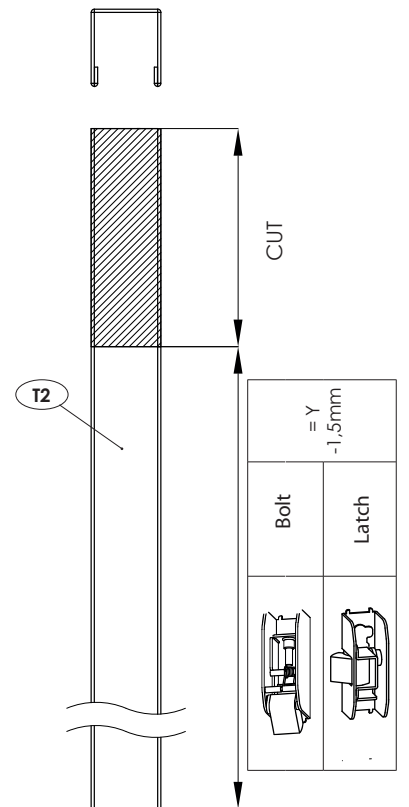
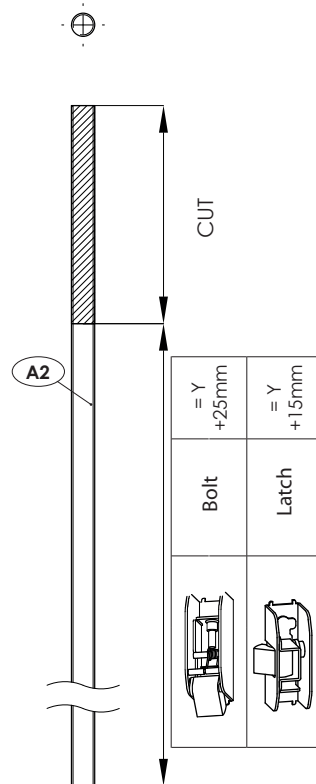
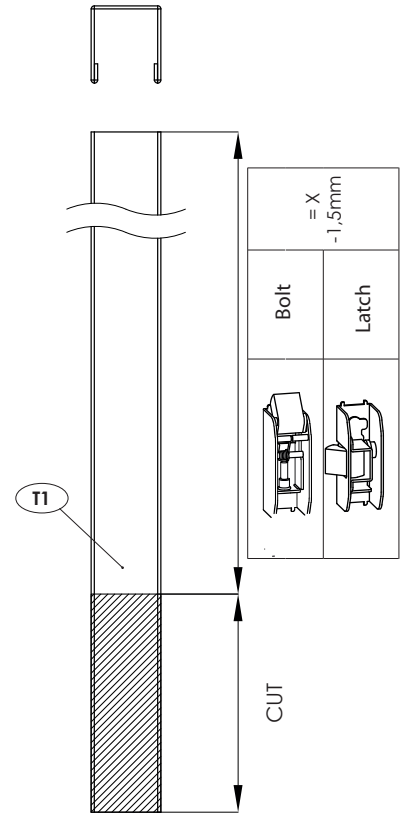
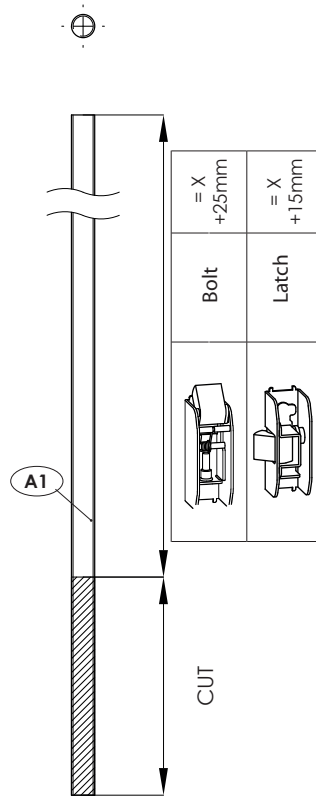
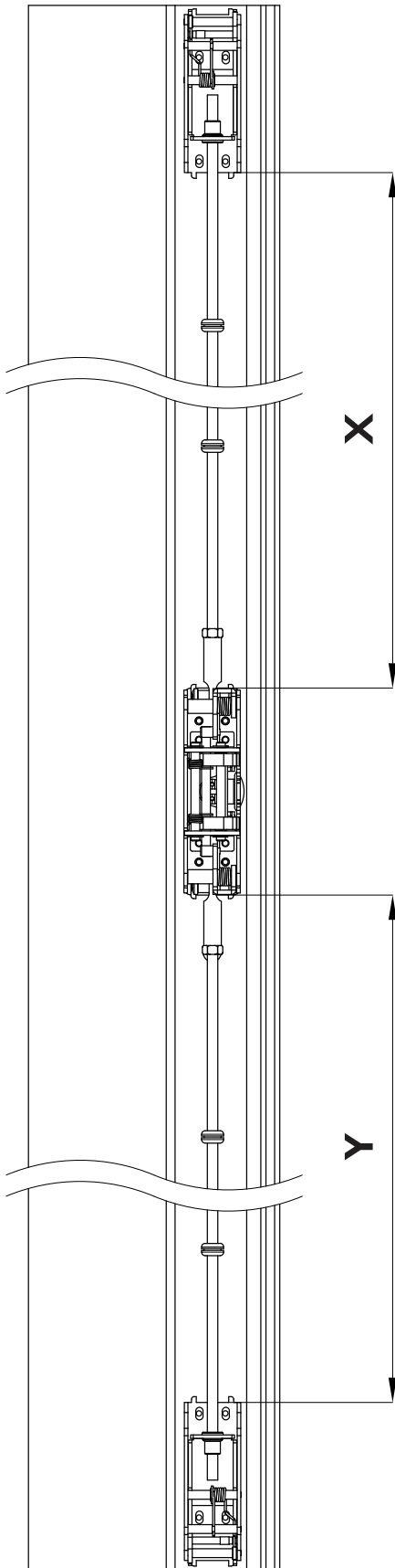


Fixing screws			
Fixing screws	Side	Up Down	
V2	4		 Torx T20
V3	6	8	 19 ø3.9
D1	2		
G1	4		

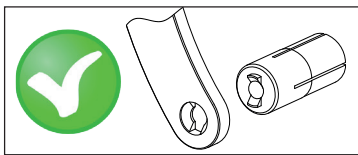
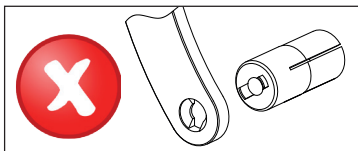
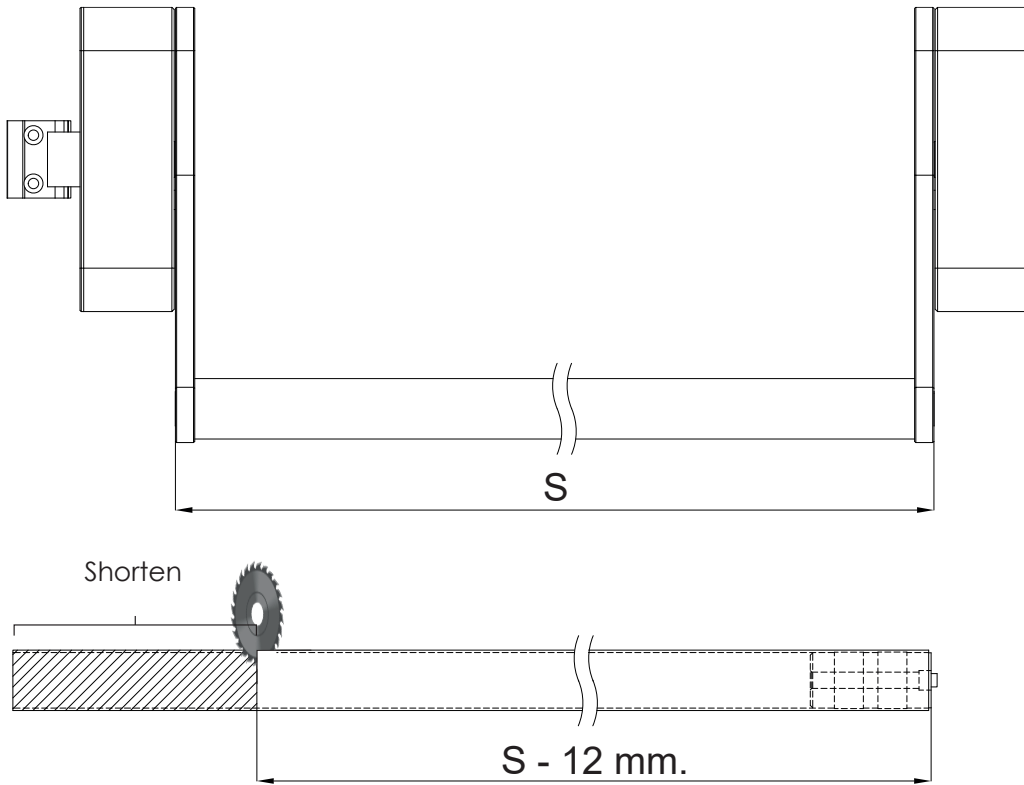


Threaded rod

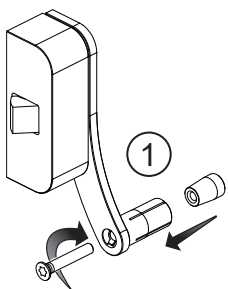
Cover for rods



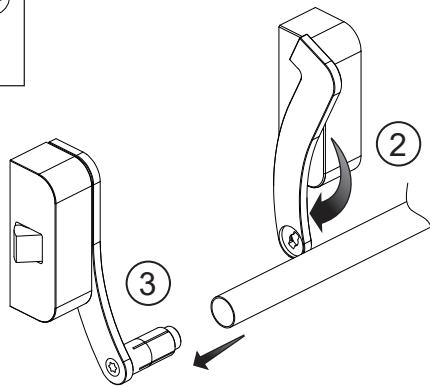
Bar length alteration



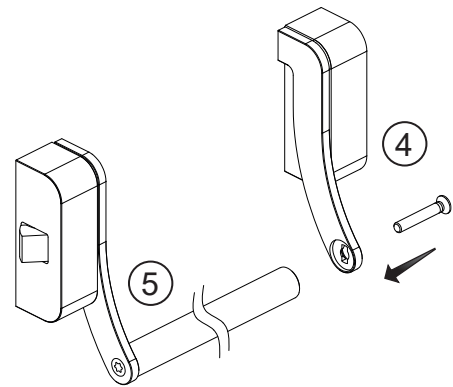
Bar mounting sequence



Important: Do not tighten



Important: Do not tighten

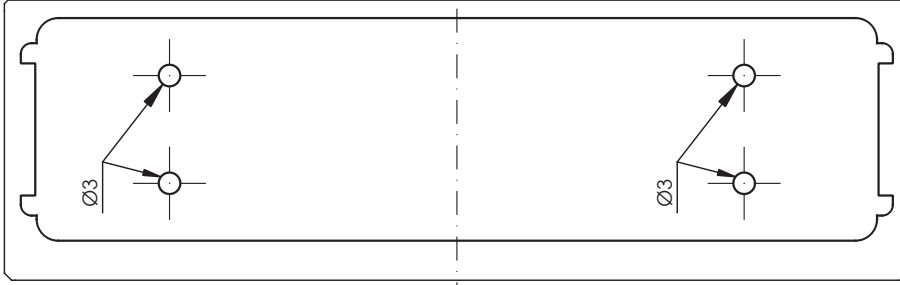


Tighten screws starting from step 4, then step 5.
Tighten fully.

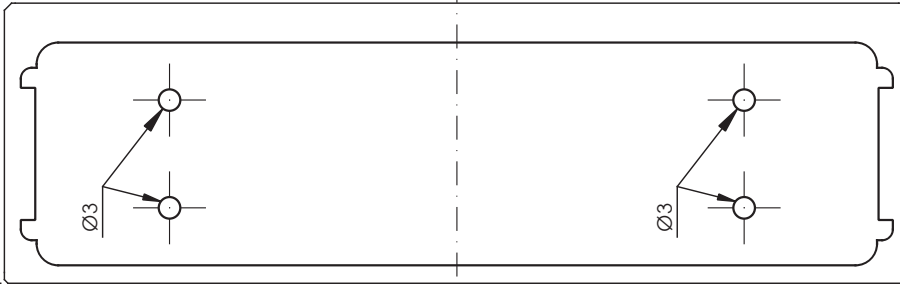
Flush Fitting

Secondary door

Secondary mechanism

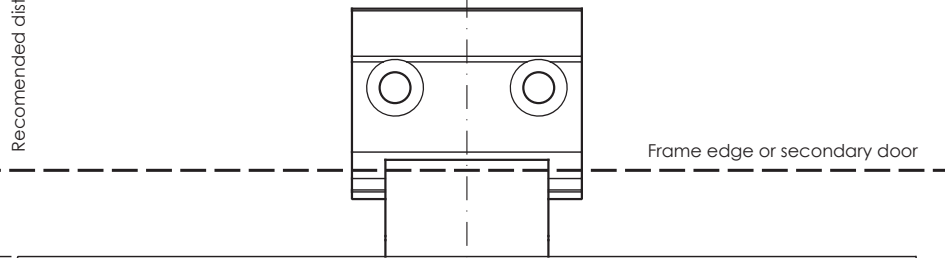


Main mechanism



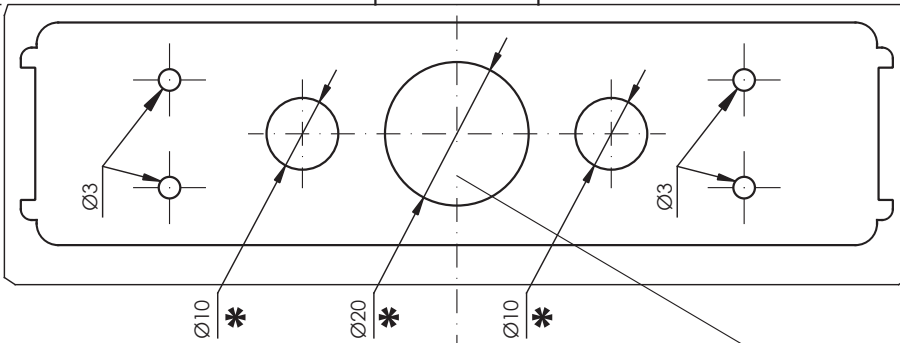
33
Recommended distance

12

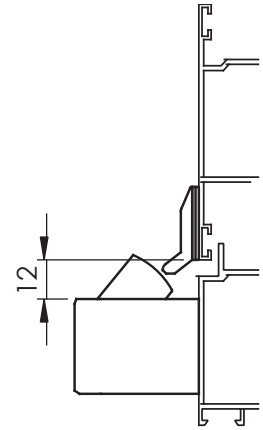


Main door

Main mechanism



Secondary mechanism

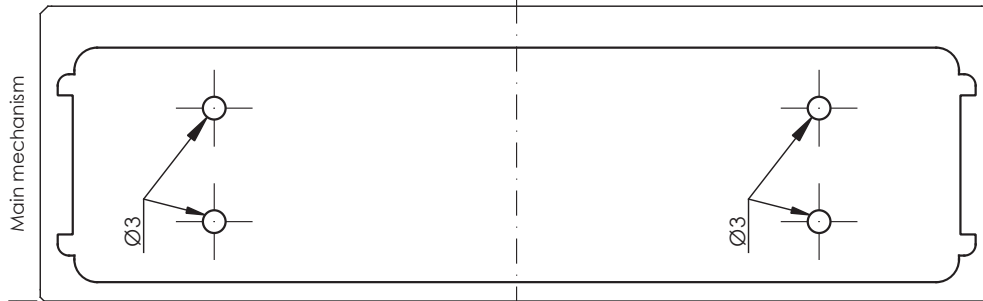
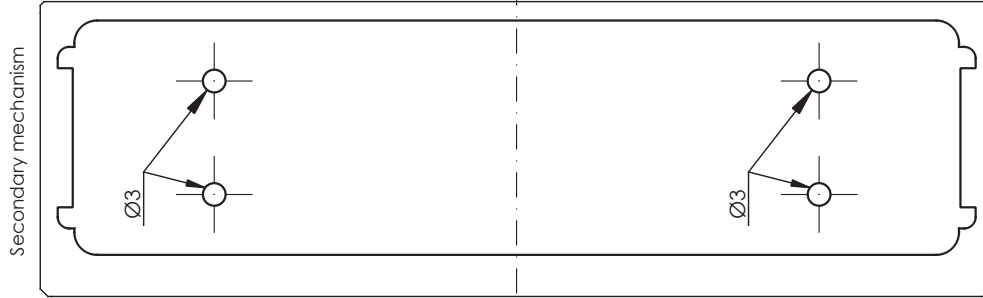


* Drill holes for Outside Access

TT line - recommended height 1115 (± 4mm) from floor

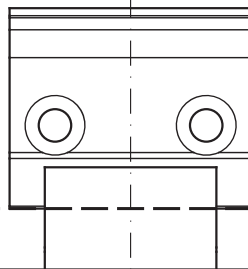
Profile / Rebated Fitting

Secondary door



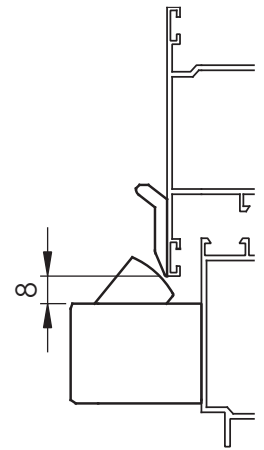
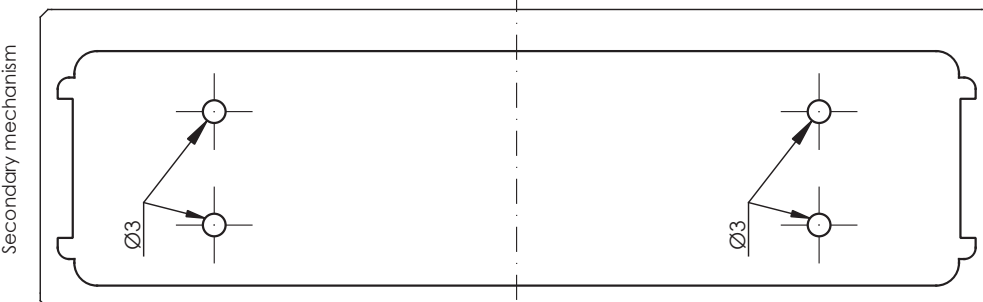
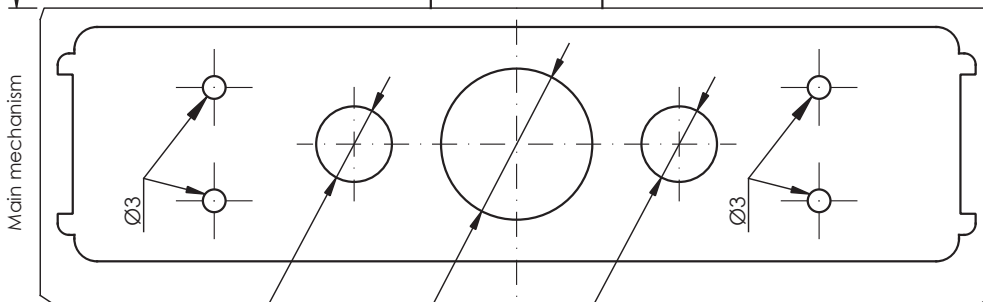
33
Recommended distance

8



Frame edge or secondary door

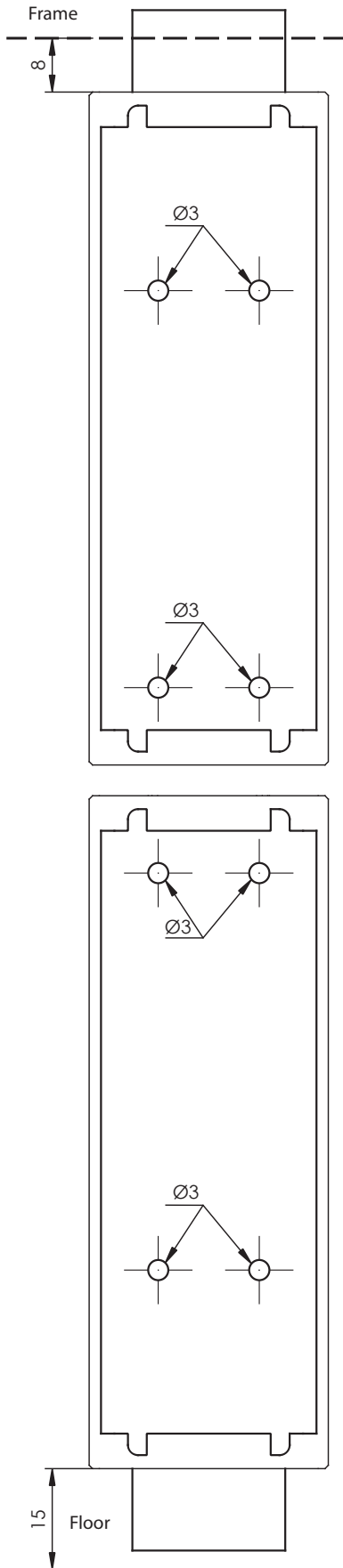
Main door



* Drill holes for Outside Access

TT line - recommended height 1115 (± 4mm) from floor

Bolt



Latch

