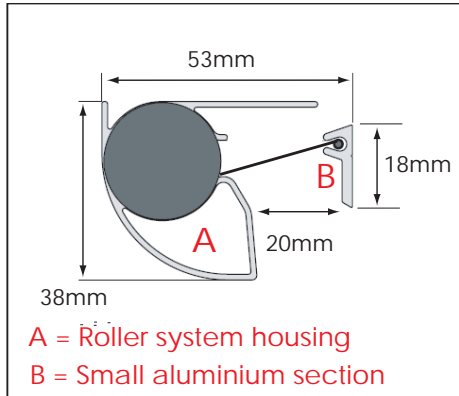


FP400 Finger Protection



FP400 roller system dimensions

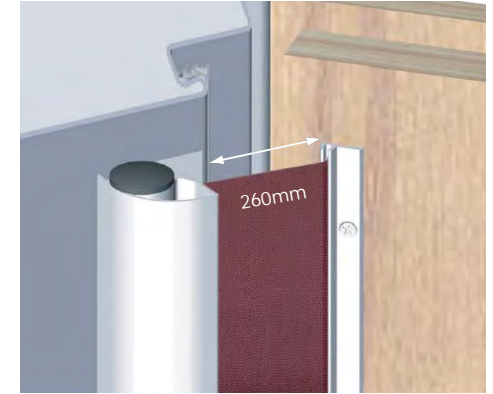
Fixing application - typical UK applications overleaf



FP400 roller system mounted on frame with door closed



FP400 roller system mounted on frame with door open

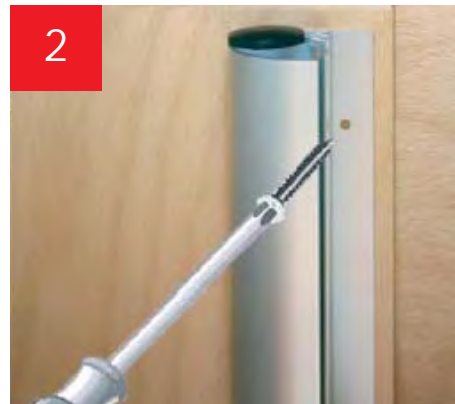


FP400 roller system maximum opening 260mm

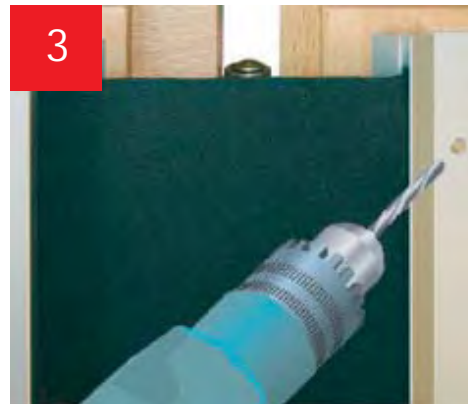
Installation instructions



Drill pilot holes for **A** roller system housing



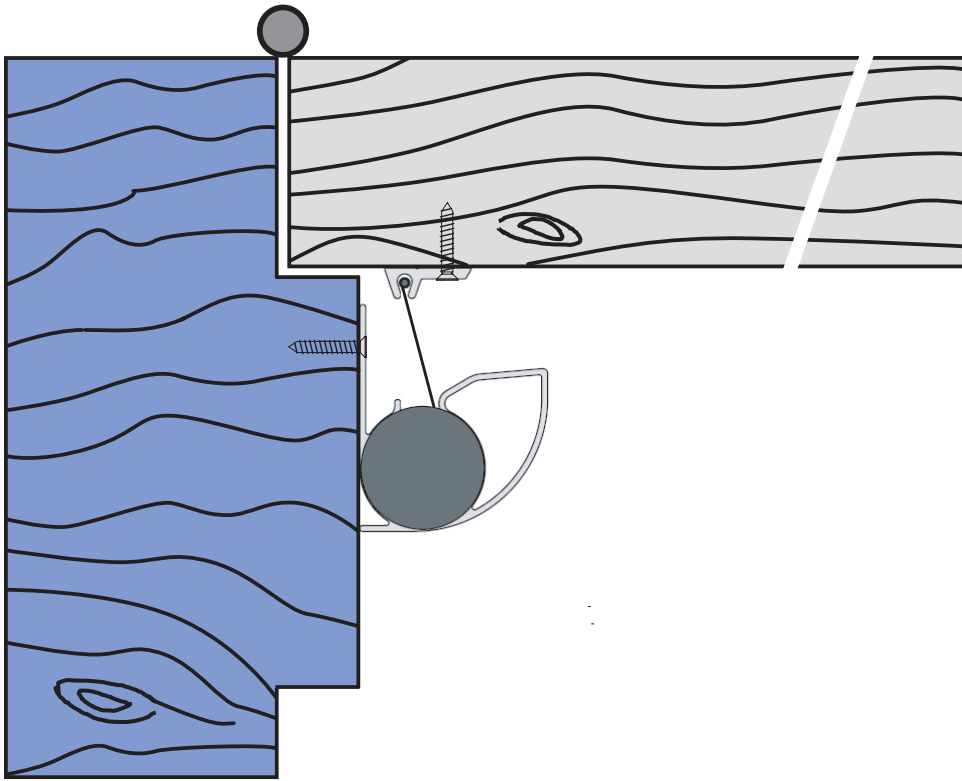
Fix with screws provided



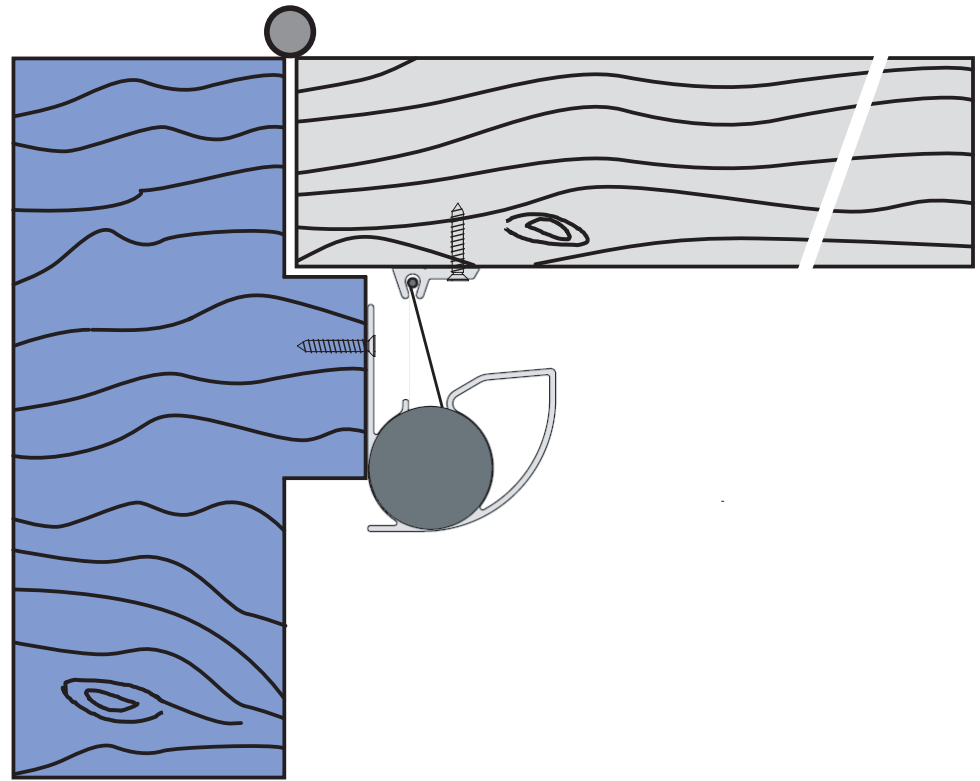
Drill pilot holes for **B** small aluminium section



Fix with screws provided



FP400 roller system
mounted on frame
with 20mm gap



FP400 roller system
mounted on frame
with small door stop