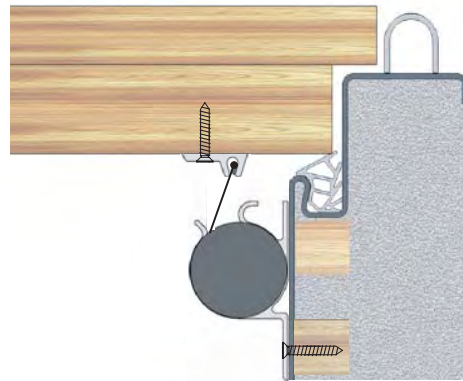
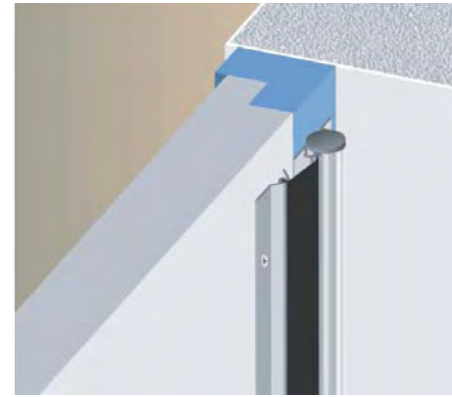


FP200 roller system dimensions

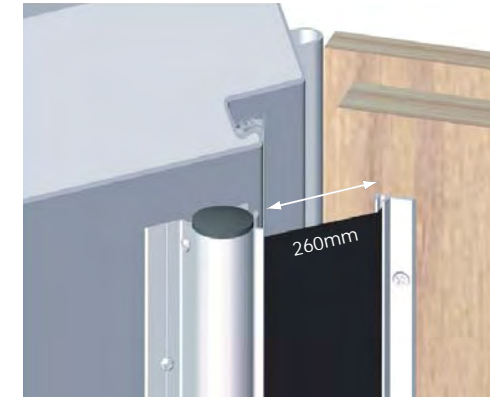
Fixing applications - typical UK applications overleaf



FP200 roller system mounted on recessed door and frame



FP200 roller system mounted on flush door and frame



FP200 roller system maximum opening 260mm

Installation instructions



1 Drill pilot holes for **A** roller system housing



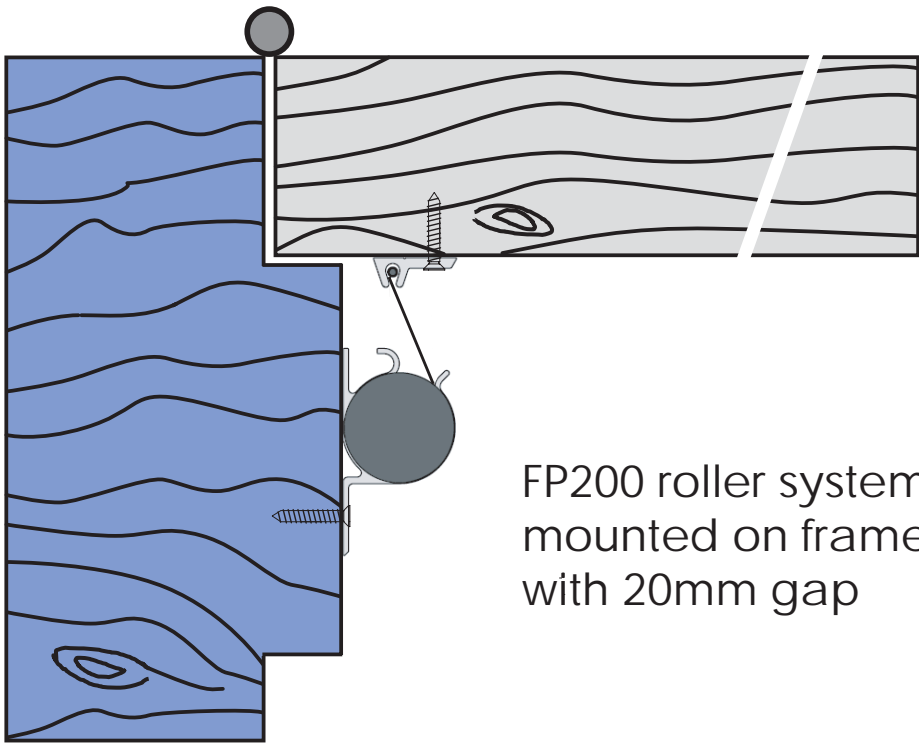
2 Fix with screws provided



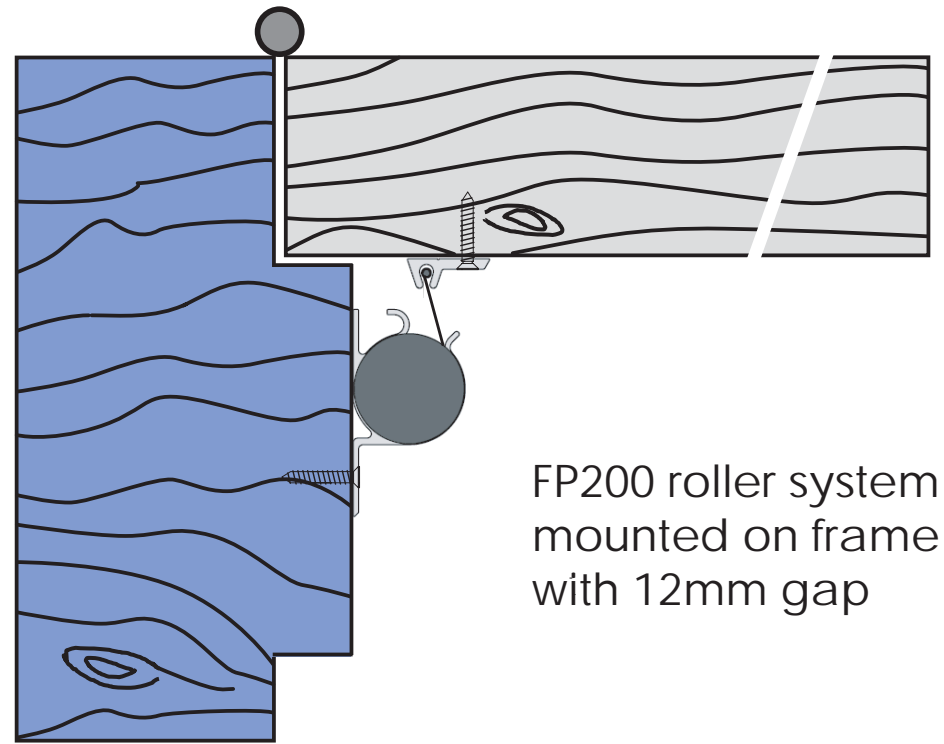
3 Drill pilot holes for **B** small aluminium section



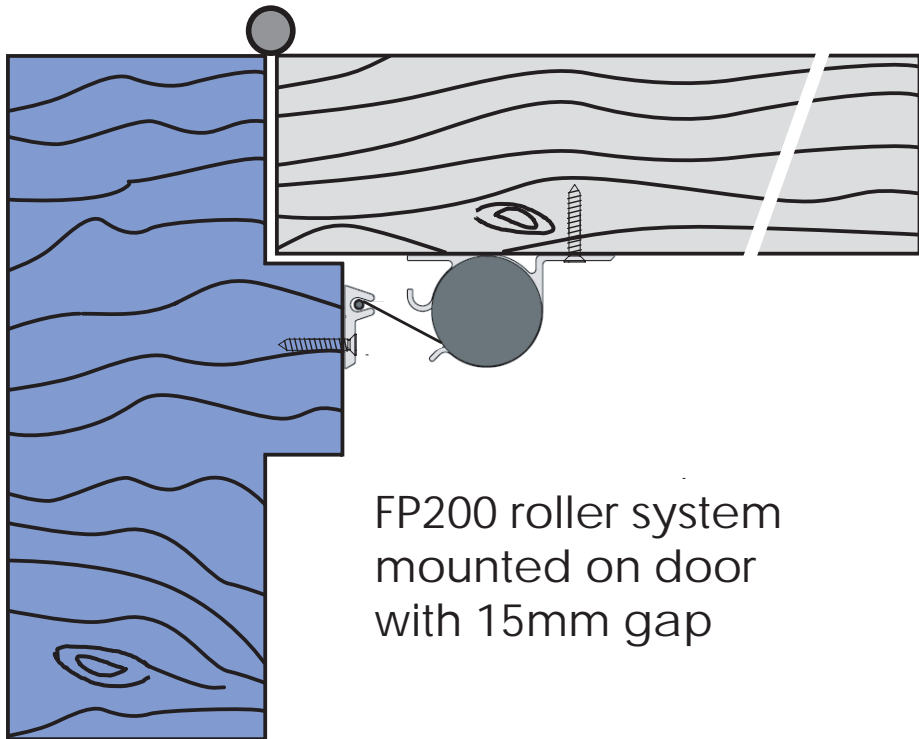
4 Fix with screws provided



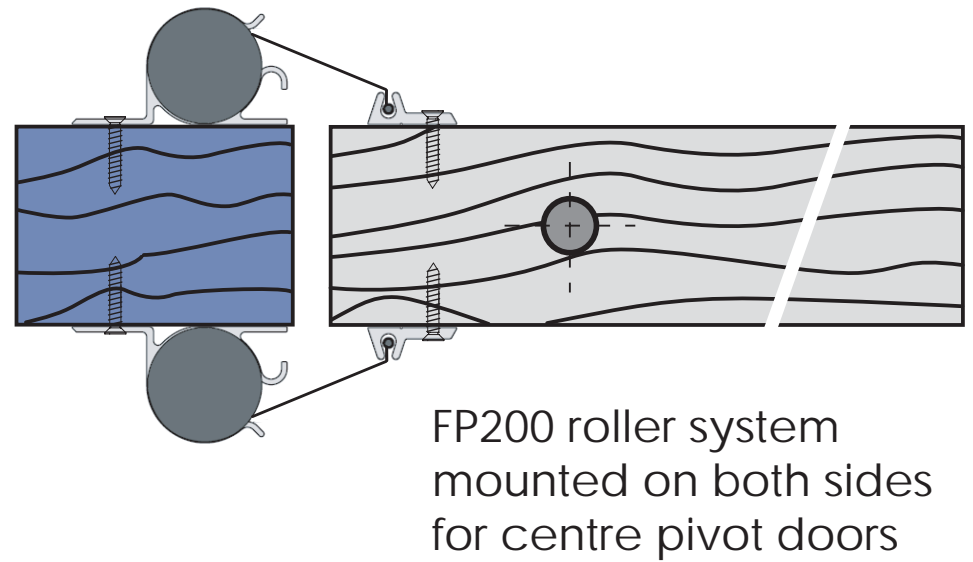
FP200 roller system mounted on frame with 20mm gap



FP200 roller system mounted on frame with 12mm gap



FP200 roller system mounted on door with 15mm gap



FP200 roller system mounted on both sides for centre pivot doors