

NEWSTRAND

>>news >>news >>news >>news >>news >>news >>news

May 2011



Welcome to the summer edition of Newstrand. We would like to thank everyone who participated in this year's customer satisfaction survey and once again we were delighted with the overall results which saw an improved score for most categories compared to last year.

- Quality of products Achieved 94%
- Delivery performance Achieved 95%
- Technical expertise Achieved 97%

The highest score you gave us was 98% for politeness and courtesy of staff and the lowest was 88% for catalogues and brochures which some of you informed us was due to the Highline window control catalogue.

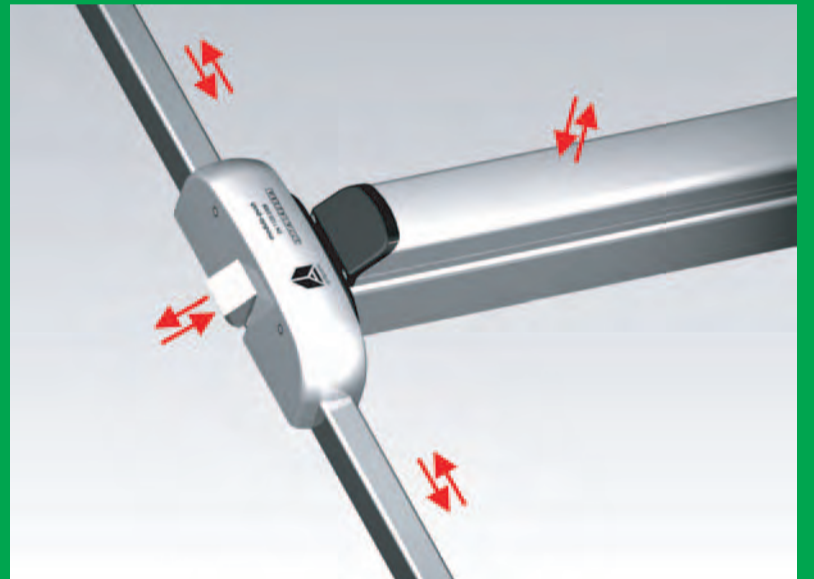
We recognise that this is now a little dated so we will soon be introducing a new one which features a variety of new electric actuators for operating high level or difficult to reach windows for ventilation and smoke control. The feedback we get back from you is important to us to ensure we continue to provide you with a quality range of products and first class service.

Craig Fox
Sales Director

Strand Hardware Ltd.
Strand House, Long Street,
Premier Business Park, Walsall,
West Midlands, WS2 9DY, England.
Tel: 01922 639111
Fax: 01922 626025
e-mail: info@strandhardware.co.uk
Website: www.strandhardware.co.uk

New Motorised Touch Bar

To complement our already extensive range of panic hardware we will soon be introducing a motorised version of our Touch bars which are similar to the standard range but incorporate a slim but powerful electric motor within the touch bar housing. They function in the conventional way with mechanical egress from inside the building when the cross arm is depressed but they can be connected to a variety of access entry systems allowing controlled access from outside. When activated by the access entry system an audible signal sounds for a few seconds when the latches are withdrawn allowing the door to be pulled open. This timed opening can be adjusted with the motor from between 3 – 30 seconds or you can connect it to a timed controller allowing access at specific times of the day or night. The devices will be available as one or three point panic latches and two/three point bolts in a variety of finishes and sizes up to 170mm wide which can be cut down to 700mm. Strikers are available for timber, aluminium, steel and pvc-u doors. If you require any further information or to request a copy of the PDF data sheet then please contact our sales office on 01922 639111 or email: info@strandhardware.co.uk



Charity Golf Day

An important forthcoming event for all of you to pencil in your diaries and one not to be missed is the Strand Hardware Charity Golf Day which will be on Tuesday the 5th July at Branston Golf and Country Club near Burton upon Trent. This year will be an even more special occasion as Strand Hardware will be celebrating its 20th anniversary and so we hope to raise even more money than our last event, which was two years ago in which we raised a staggering £8000.

Once again we will be supporting a charity which is close to our hearts, the cancer unit at Birmingham Children's Hospital to raise vital funds into the research and treatment of childhood cancers.

Within the next few weeks we will be sending out details of times etc and request if you wish to enter a team that you return your completed entry form to us as soon as possible as spaces will be limited. Even if like me you are not a golfer then we would welcome you along for the evening dinner and entertainment.



NEWSTRAND NEWSTRAND

>>news >>news >>news >>news >>news >>news >>news >>news >>news >>news >>news

May 2011



HALF MARATHON

Some of you may recall that a few months ago our joint MD, Catherine Franks was brave enough to enter the Wolverhampton half marathon (13.1 miles) which she completed in a respectable two and a half hours and at the same time managed to raise £567.50 for the charity, Coeliac UK.



She would like to thank everyone who sponsored her and commented that she will not be repeating it this year! The picture is of Catherine reaching the finish line absolutely exhausted.

STRAND HARDWARE LIMITED
THE BEST WAY OUT...

June 2008

ATHMER AUTOMATIC DOOR SEALS FROM THE STRAND HARDWARE RANGE

- HIGH QUALITY AUTOMATIC DOOR SEALS
- PROVIDES OPTIMUM SOUND, FIRE, SMOKE AND DRAUGHT PROTECTION
- APPROVED DOCUMENT E PLACES THE RESPONSIBILITY ON SPECIFIERS TO ENSURE THAT BUILDINGS PROVIDE MORE EFFECTIVE SOUND PROTECTION
- E-18 SEALS SUCCESSFULLY TESTED TO 80dB
- SINGLE OR DOUBLE ACTUATION VERSIONS AVAILABLE
- SEALS AVAILABLE IN THE RANGE WITH OPTIONAL HOLES FOR CONCEALED PUSH BOLTS
- SEALS CAN BE MADE TO SEAL OR PRODUCE ON SITE
- AUTOMATIC SEALS FOR SLIDING DOORS AVAILABLE
- STANDARD COLOURS: BLACK, GREY, WHITE OR UP TO 20 COLOURS
- AUTOMATIC HEIGHT AND LEVEL COMPENSATION

the best way to **keep it out**

STRAND HARDWARE LIMITED
THE BEST WAY OUT...

May 2008

STRAND HIGHLINE WINDOW CONTROL SYSTEMS

- MANUAL
- ELECTRICAL
- SMOKE CONTROL

the best way to **open & close**

STRAND HARDWARE LIMITED
THE BEST WAY OUT...

November 2007

WINDOW AND DOOR HARDWARE

- FRAMES FOR WINDOW
- REINFORCED AND POLY WINDOW
- LOWEST PROFILE OPERATORS
- STRANDED AND STRANDED FIBRE OPERATORS
- MINI-SEA, BRACKET AND THE OTHER WINDOW OPERATORS
- AVAILABLE IN STANDARD FINISHES
- VALUABLE TO FINISH OPERATORS AVAILABLE
- AVAILABLE IN RANGE OF POLY-WOOD
- FRAMES AND OPERATORS
- MINI-SEA MARKING ON EXISTING SYSTEMS
- FOR HIGH-LEVEL WINDOWS
- AVAILABLE FROM 400MM TO 1400MM
- POLE-DRUMS
- ALUMINIUM SEALS AVAILABLE, BLACK, GREY, WHITE, COLOURS TO ORDER
- STANDARD COLOURS: BLACK, GREY, WHITE OR UP TO 20 COLOURS
- COLOUR BOOKS
- 100% QUALITY

the best way to **open & close**

STRAND OPERA OPERATING ACCESS

the best way to **out**

STRAND HARDWARE LIMITED
THE BEST WAY OUT...

August 2008

STRAND ANTIPANIC EMERGENCY AND PANIC EXIT DEVICES

- MODULAR PANIC LATCH
- MODULAR PANIC BOLT
- MODULAR PUSH PAD BOLT AND LATCH
- TOUCH BAR BOLT AND LATCH
- OUTSIDE ACCESS DEVICES
- ELECTRICAL ACCESSORIES
- MORTICE PUSH BAR
- ELECTRIC PUSH BAR
- ELECTRIC TOUCH BAR
- ACCESSORIES AND STRIKERS
- STRIKER APPLICATIONS
- DOOR APPLICATIONS

the best way to **out**

SPECIFICATION SERVICE

Did you know that we offer a complete specification service for the comprehensive range of **HIGHLINE** manual or electric window gear

Solutions for high level or difficult to access windows
Designed to operate single or grouped windows

Rain, wind and thermostat sensors available

Panels for smoke control systems which may be linked to existing fire/smoke alarms

- STRAND-ANTIPANIC Exit Hardware
- Athmer Seals for Doors & Windows
- STRAND-OPERA Operating Access
- Highline Window Control Systems
- STRAND Window & Door Hardware

Brochures can be downloaded from our website: www.strandhardware.co.uk



Strand Hardware Ltd.
Strand House, Long Street,
Premier Business Park, Walsall,
West Midlands, WS2 9DY, England.
Tel: 01922 639111
Fax: 01922 626025
e-mail: info@strandhardware.co.uk
Website: www.strandhardware.co.uk

Details of our comprehensive range of products are shown in the brochures listed above. For any further details of the Strand product range please fill in the form below and fax back to us on: 01922 626025

Name:.....
Company:.....
Address:.....
.....
.....
.....

Position:.....
Tel:.....
Fax:.....
Email:.....

Unsubscribe: If you do not wish to receive any further newsletters from Strand Hardware, you can unsubscribe from the list by contacting us by email: info@strandhardware.co.uk